

Date: _____ Customer: _____
 Project: _____
 Type: _____ Qty: _____



Saturn Cutoff 2 LED



Order Code: SAC2L - - - - -

Pole Order Code: _____ - _____ - _____ - _____

	Series	Height	Finish	Options				
<u>SAC2L</u>	Series SAC2L Saturn Cutoff 2 LED							
Optics	R1 Type I	R2 Type II	R3 Type III	R3W Type III (Wide)	R4 Type IV	R5R Type V (Round)	R5S Type V (Square)	R5Q Type V (Rectangular)
Mounting	1 Single	1A Single Arm Mount	2 Double	W Wall Mount				
Light Engine	5G450 39W/4352lm	5G700 62W/6537lm	5G105 94W/9101lm		*Based on RI distribution and 3000K CCT			
CCT	27 ¹ 2700K	30 ¹ 3000K	40 4000K		¹ IDA Approved *For other CCT please consult factory			
Power Cord Length	08 8 ft	10 10 ft	12 12 ft	14 14ft	16 16 ft	18 18 ft	XX XX *For 1 mounting use the pole height. For 1A or 2 mounting use the pole height +2	
Finish	WH White	BK Black	BL Semi-Matte Black	BZ Bronze	SV Silver	SP Specify Premium Color		
Voltage	120 120V	240 240V	277 277V	347 ² 347V	480 ² 480V		² Equipped with step-down transformer	
Options	DM ⁴ Dimming (0-10V)	HS ³ House Side Shield (180°)	HL30 ^{4,5} Hi-Lo Switching Low Output 30%	HL50 ^{4,5} Hi-Lo Switching Low Output 50%	DS No Uplight Finish	PCT ⁶ Photocell Tenon	MS ^{4,6} Pole Motion Sensor with Optional Photocell (See pagr 3 for order code)	
								³ Type I, II, III, and IV only ⁴ DM, HLXX or MS only. Cannot be combined. ⁵ 120V, 240V or 277V only ⁶ PCT or MS only. Cannot be combined.

Product Modifications

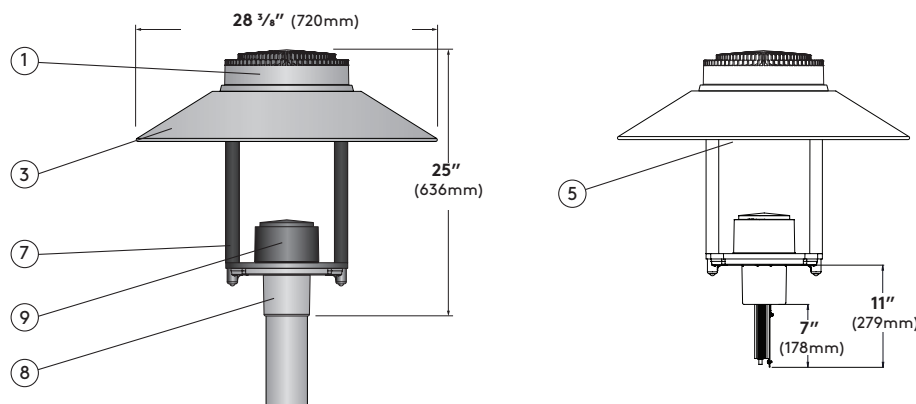
Please list modification requirements for review by factory:

Approvals



Date: _____

SAC2L-1-XX-DS



For further details, please see installation instructions.

Specifications

1. Luminaire Cover - Die cast aluminum cover made from low copper alloy, designed to ensure optimal thermal management for extra long life time of LED light engine.

2. Gasketing - (not shown) Continuous gasket provides weatherproofing, dust and insect control at all fixture connections.

3. Luminaire Hood - Aluminum shade with white painted interior.

4. LED Array - (not shown) High flux LEDs mounted to PC boards and attached to aluminum heat sink for maximum LED performance and life. CCT tolerance 1/4 step binning for 3000K, and 4000K. CRI minimum 80. Complete light engine can be removed easily for future upgrade. LED light engine provides a reported lumen maintenance of 93% at 50,000 hours. L70 calculated greater than 100,000 hours.

5. LED Optics - Technical Optics (R1, R2, R3, R3W, R4, R5S, R5Q and R5R) use Selux signature light pattern acrylic lens holder to secure proprietary silicone optics. Micro house side shield available for distributions types I, II, III and IV.

6. LED Driver - (not shown) LEDs are driven by RoHS compliant constant current programmable LED driver. Driver includes 0-10V dimming to 10%, meets the requirements of IP66. Driver assembly located inside the head.

7. Hood Supports - Two aluminum arms support shade and optic assembly and attach to the die cast aluminum pole fitter (shown painted matte black for DS option).

8. Pole Fitter - Self-leveling, die-cast low-copper aluminum alloy, fitter base secured to pole with three, stainless steel, Allen head set screws. Fitter for 3 1/2" (90mm) O.D. poles.

9. Driver cover - Die cast aluminum cover made from low copper alloy, removes for tool-less access to driver. Driver secured to removable tray for ease of maintenance (shown painted matte black for DS option).

10. Surge Protector - (not shown) Designed to protect luminaire from electrical surge (20kA).

11. Power Cord - (not shown) Pre-installed at factory. Please specify power cord length in accordance to height of the pole. Add 2 feet to power cord length if double mounting (2) or single arm mount (1A) is specified.

Exterior Luminaire Finish - Selux utilizes a high quality Polyester Powder Coating. All Selux luminaires and poles are finished in our Tiger Drylac certified facility and undergo a five stage intensive pretreatment process where product is thoroughly cleaned, phosphated and sealed. Selux powder coated products provide excellent salt and humidity resistance as well as ultraviolet resistance for color retention. All products are tested in accordance with test specifications for coatings from ASTM and PCI.

Standard exterior colors are White (WH), Black (BK), Semi-Matte Black (BL), Bronze (BZ), and Silver (SV). Selux premium colors (SP) are available, please specify from your Selux color selection guide.

5 Year Limited LED Luminaire Warranty -

Selux offers a 5 Year Limited Warranty to the original purchaser that the Saturn Cutoff LED luminaire shall be free from defects in material and workmanship for up to five (5) years from date of shipment. This limited warranty covers the LED driver and LED array when installed and operated according to Selux instructions. For details, see "Selux Terms and Condition of Sale."

Listings and Ratings: Luminaire and LED tested to IP65 and IESNA LM-79-08 standards. LED tested to LM-80 standards. Luminaire and LED tested at 25°C ambient temperature.

Luminaire suitable for ambient temperature of 45°C. Minimum operating temperature of luminaire at -40°C (-40°F)

NRTL Listed (i.e. UL, CSA)

Visit selux.us for our LED End of Life recycling policy.

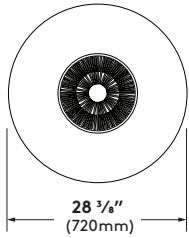
For Buy American compliance on poles, please consult the factory.

Mounting

Single (1)

Die-cast aluminum fitter base secured to pole with three stainless steel, Allen head set screws.

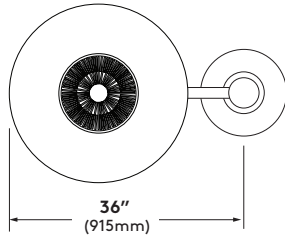
EPA = 1.7ft² (0.16m²)
Weight = 39lbs. (17.7kg)



Single Arm Mount (1A)

Die-cast aluminum single luminaire mounting arm secured to pole with four stainless steel, Allen head set screws. Outer slip fitter for 3 1/2" O.D. tenon.

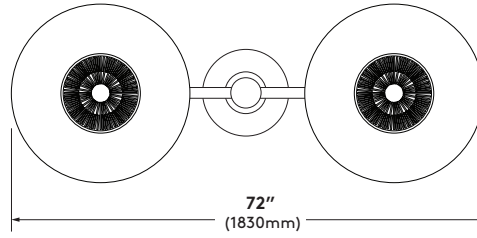
EPA = 2.7ft² (0.25m²)
Weight = 53lbs. (24.0kg)



Double (2)

Die-cast aluminum double luminaire mounting arm secured to pole with four stainless steel, Allen head set screws. Outer slip fitter for 3 1/2" O.D. tenon.

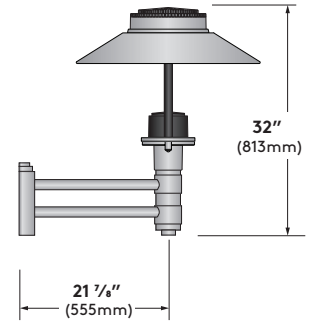
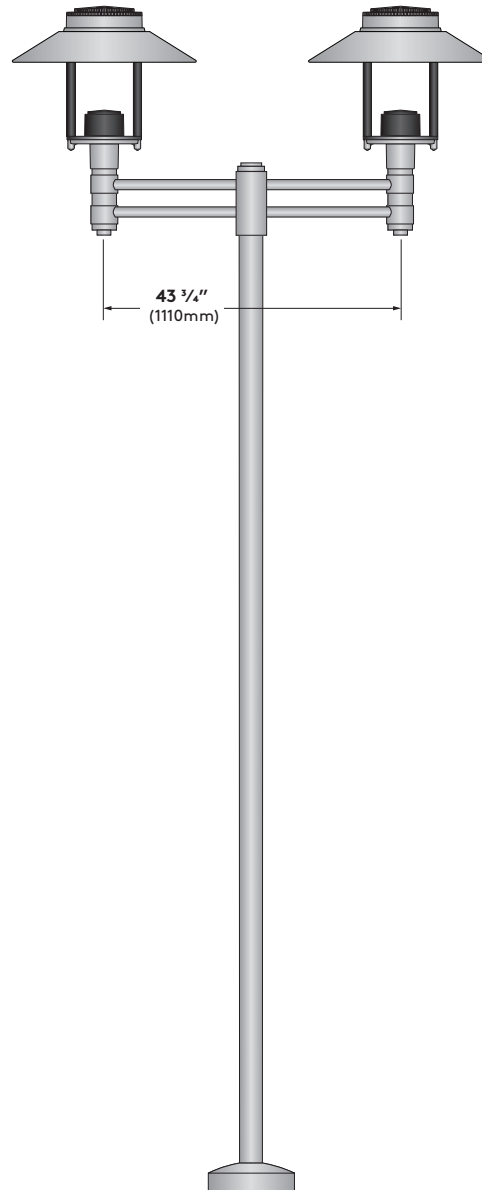
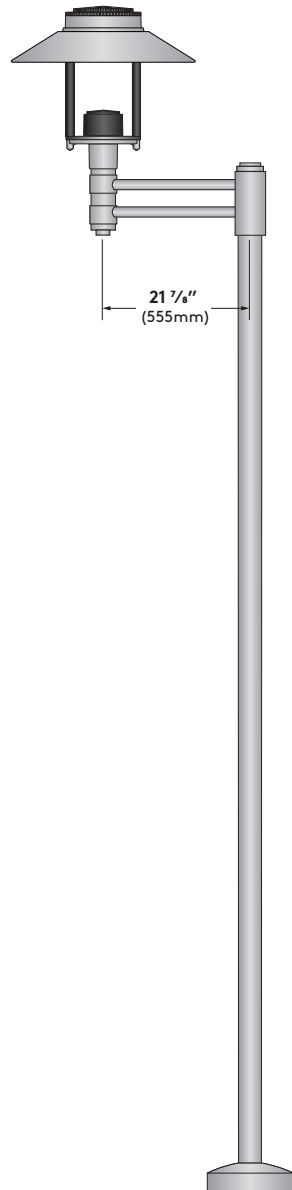
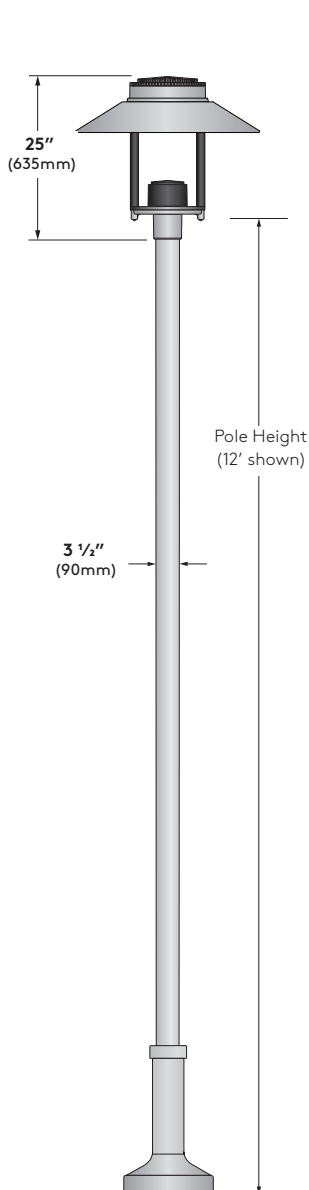
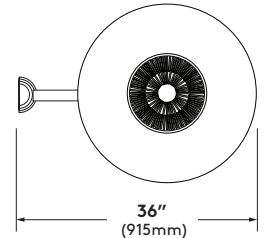
EPA = 5ft² (0.46m²)
Weight = 100lbs. (79.8kg)



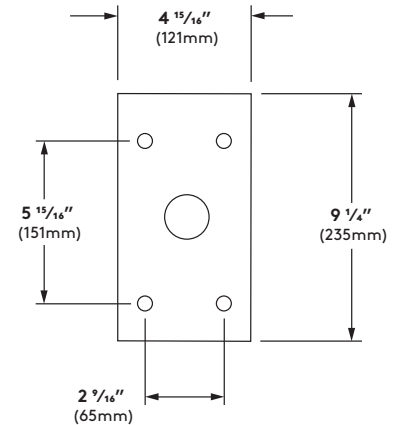
Wall (W)

Die-cast aluminum double round wall mount arm. Secured to wall with 1/4" diameter threaded fasteners (by others).

EPA = 2.5ft² (0.23m²)
Weight = 50lbs. (22.7kg)



Wall Arm Mounting Detail
(Conduit and mounting hardware by others).



Pole Information

Refer to pole specification sheets for construction details, anchorage information and additional options.

Base Cover Information

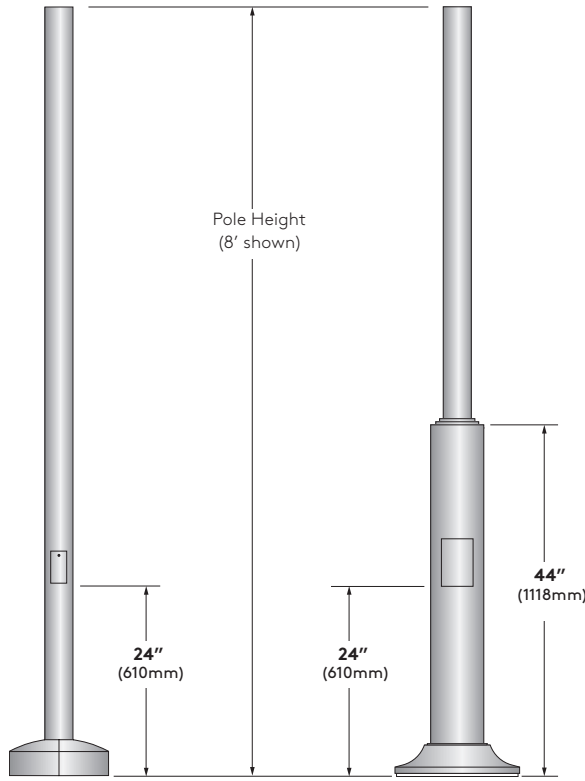
Refer to pole specification sheets for construction details, anchorage information and additional options.

**A35 & S35
Round Straight Aluminum
& Round Straight Steel Poles**

**S635
Round Stepped Steel Poles**

**Standard Base Cover (BC5)
Supplied with A35 and S35**
Two-piece cast aluminum

**Standard Base Cover (BC6)
Supplied with S635**
One-piece cast aluminum



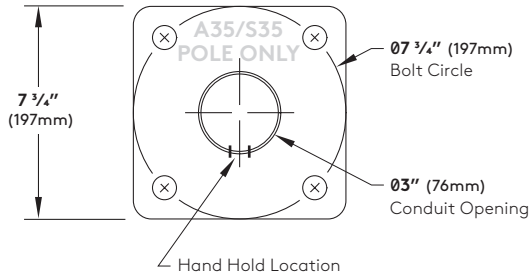
Shown with standard base covers.

Pole Data Chart

Pole Series	Bolt Circle	EPA Information					Height	Finish	Options
		70mph	80mph	90mph	100mph	110mph			
S635 3 1/2" Diameter Stepped Steel Pole	Ø9"	57.6	44.3	34.6	27.5	22.8	8 ft.	WH White	REC GFCI Receptacle with weatherproof cover
A35 3 1/2" Diameter Straight Aluminum Pole	Ø7 3/4"	16.1	12.2	9.4	7.3	5.9		BK Black	
S35 3 1/2" Diameter Straight Steel Pole	Ø7 3/4"	14.8	11.3	8.6	6.7	5.4		BL Semi-Matte Black	REC3 USB and Duplex Receptacle with weather proof cover
S635 3 1/2" Diameter Stepped Steel Pole	Ø9"	45.6	35.0	27.3	21.6	17.8	10 10 ft.	BZ Bronze	REC4 USB & Duplex Receptacle with weatherproof padlockable in-use cover
A35 3 1/2" Diameter Straight Aluminum Pole	Ø7 3/4"	12.4	9.3	7.1	5.4	4.3		SV Silver	
S35 3 1/2" Diameter Straight Steel Pole	Ø7 3/4"	11.4	8.6	6.5	4.9	3.9		SP Specify Premium Color	MS Motion Sensor w/ Optional Photocell Meets Title 24 Requirements)
S635 3 1/2" Diameter Stepped Steel Pole	Ø9"	37.6	28.7	22.3	17.5	14.4	12 12 ft.		
A35 3 1/2" Diameter Straight Aluminum Pole	Ø7 3/4"	9.9	7.3	5.4	4.0	3.1			
S35 3 1/2" Diameter Straight Steel Pole	Ø7 3/4"	9.1	6.7	4.9	3.6	2.8			
S635 3 1/2" Diameter Stepped Steel Pole	Ø9"	31.7	24.2	18.6	14.6	11.9	14 14 ft.		
A35 3 1/2" Diameter Straight Aluminum Pole	Ø7 3/4"	8.0	5.8	4.2	3.0	2.2			
S35 3 1/2" Diameter Straight Steel Pole	Ø7 3/4"	7.3	5.3	3.8	2.7	1.9			
S635 3 1/2" Diameter Stepped Steel Pole	Ø9"	21.7	15.8	12.3	9.6	7.6	16 16 ft.		
A35 3 1/2" Diameter Straight Aluminum Pole	Ø7 3/4"	4.9	3.2	2.2	1.4	N/A			
S35 3 1/2" Diameter Straight Steel Pole	Ø7 3/4"	4.4	2.8	1.9	N/A	N/A			

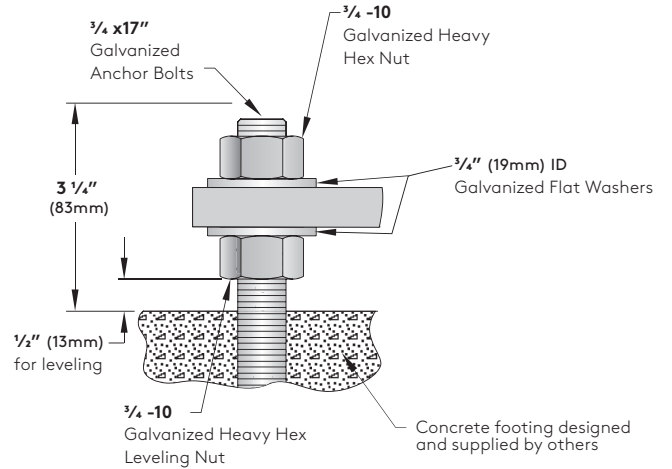
Bolt Circle for A35 & S35

Use caution when setting anchor bolts. Bolts must be vertically straight and centered on dimensions shown



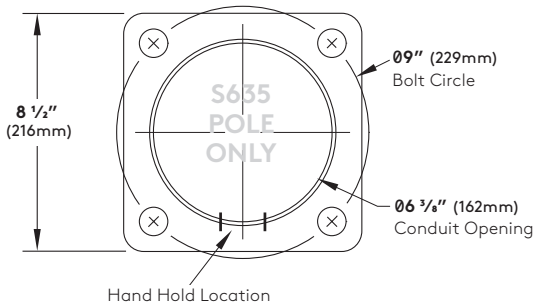
Note: Adequate drainage must be provided in concrete foundation.

Anchor Bolt Detail for A35 & S35



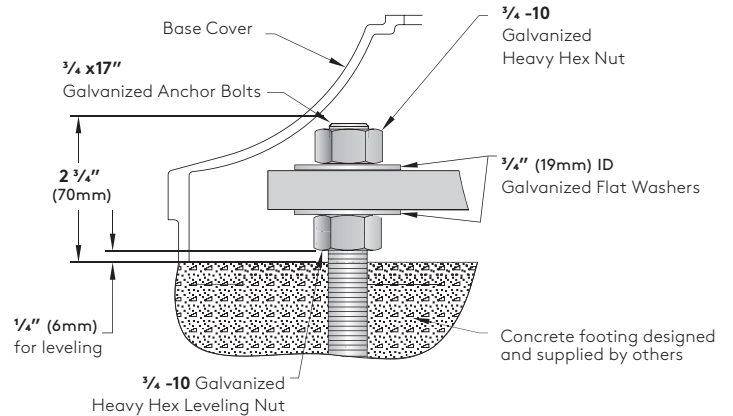
Bolt Circle for S635

Use caution when setting anchor bolts. Bolts must be vertically straight and centered on dimensions shown.



Note: Adequate drainage must be provided in concrete foundation.

Anchor Bolt Detail for S635



Round Pole Motion Sensor

The Selux outdoor rated sensor incorporates Passive Infrared (PIR) Technology for motion sensing and also includes built-in photocell. Sensor comes pre-installed in cast aluminum housing painted to match pole finish.

Series	Hand Hole Orientation	Dim Level	Photocell Feature	Voltage
MS Motion Sensor	00 0° Clockwise from Hand Hole	D0 (Off)	Y Yes	UNV (100-347VAC single phase or 208/230/480VAC phase-to-phase)
	09 90° Clockwise from Hand Hole	D1 (1V=10%)		
	18 180° Clockwise from Hand Hole	D3 (3V=30%)	N No	
	27 270° Clockwise from Hand Hole	D5 (5V=50%)		

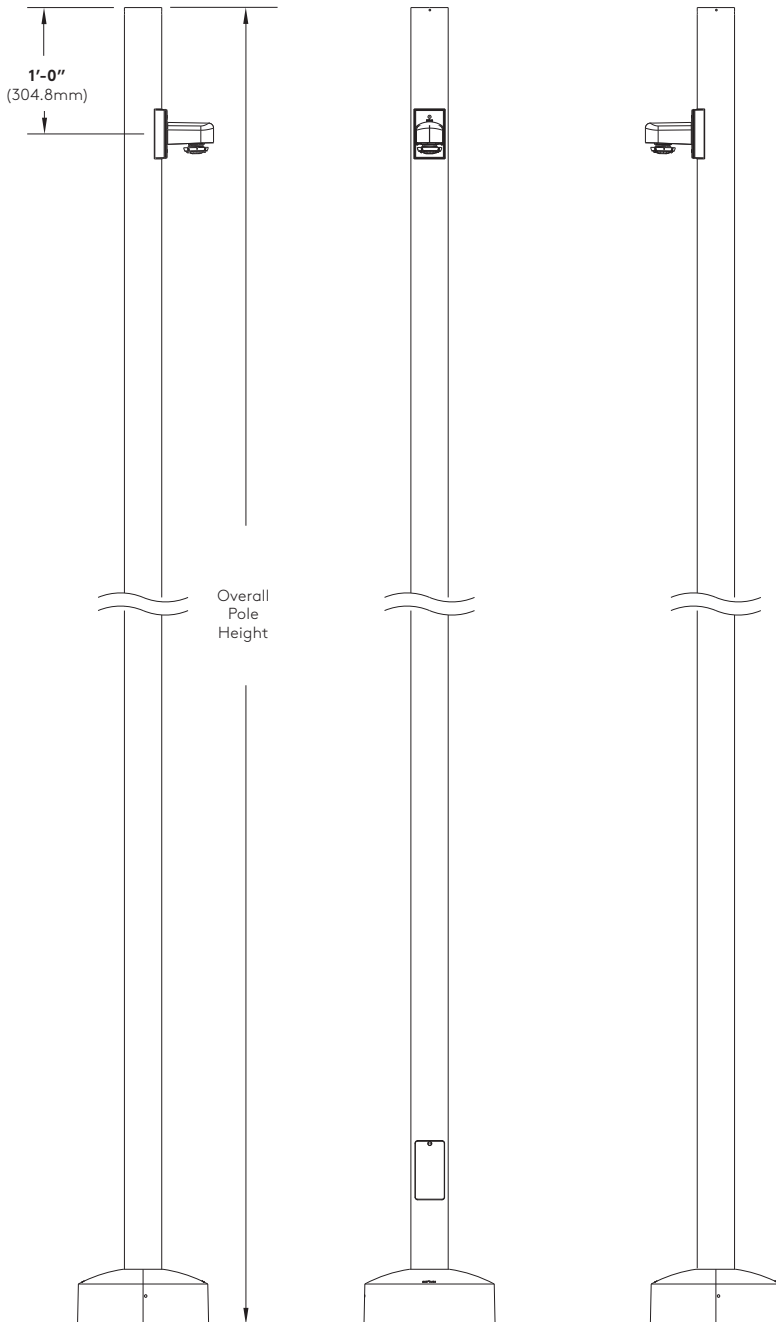
Factory Defaults:

Delay to Dim: 5 minutes

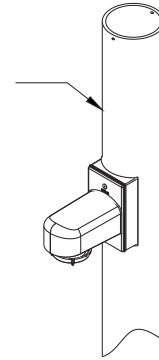
Delay to Off: 1 hour

Sensitivity: Max

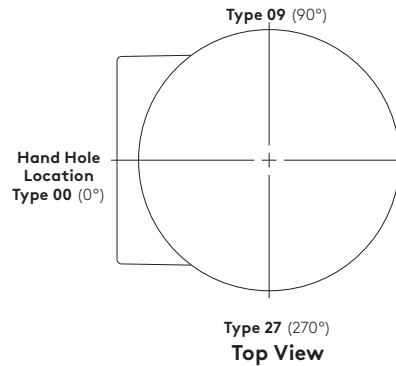
Custom Programming: Consult Factory



General Pole Drawing For Example Only



Sensor angular orientation from hand hole 0°
90° increments clockwise around pole (Type 00, 09, 18, 27)



Motion Sensor Features

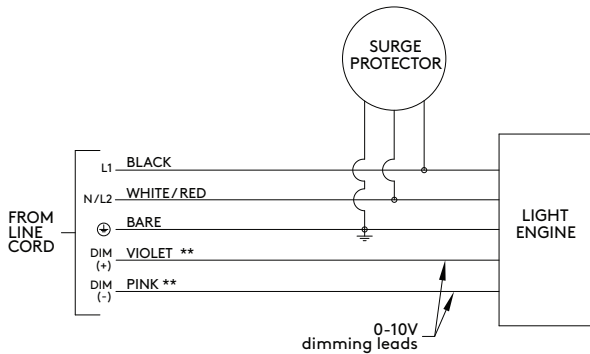
- Customize programming using smartphone application (Refer to the FSP-321 at www.wattstopper.com)
- 5 Year Warranty
- 100% Digital PIR Detection, excellent RF Immunity
- 270° coverage pattern
- IP66 Rated for outdoor applications
- Made for LED light source
- Adjustable time delays, max/min dim levels, and ramp rates
- Suitable for Title 24 applications

(For coverage details refer to wattstopper FSP-321 spec sheet at www.wattstopper.com)

Wiring Diagrams

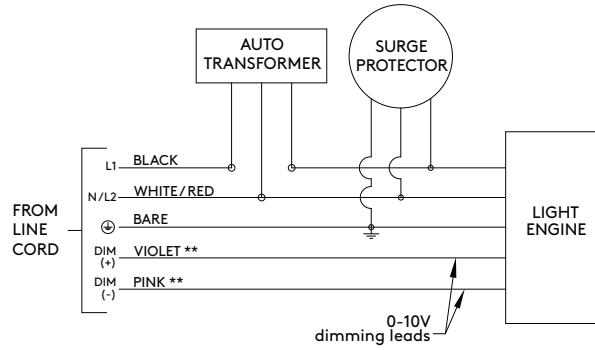
Standard Wiring (120V-277V)

**When dimming is not required cap dimming wires.



Standard Wiring (347/480V with Step-down Transformer)

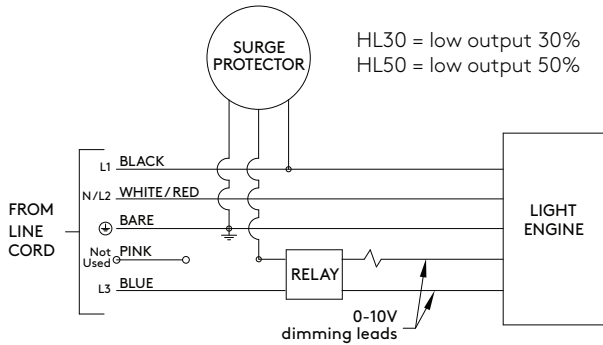
**When dimming is not required cap dimming wires.



Hi-Lo Switching Option (HL) Wiring HL30 & HL50 Only

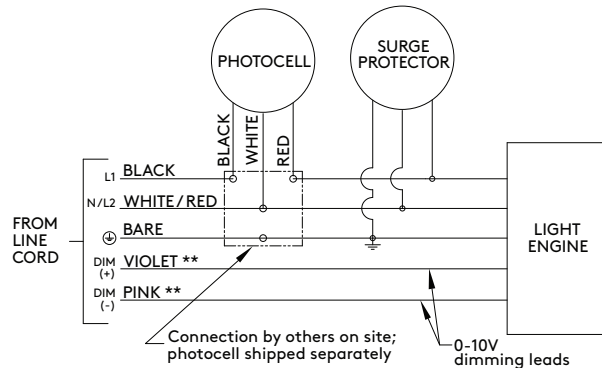
120V, 240V, 277V. When blue is energized, light output will be at "Lo" level. Specify low-level by using one of the 2 levels listed below (i.e. HL30 or HL50). For other combinations, consult factory

HL30 = low output 30%
HL50 = low output 50%



Photocell Option (PCT) Wiring

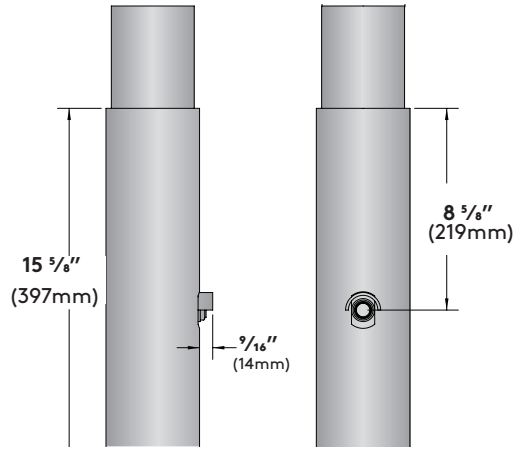
**When dimming is not required cap dimming wires.



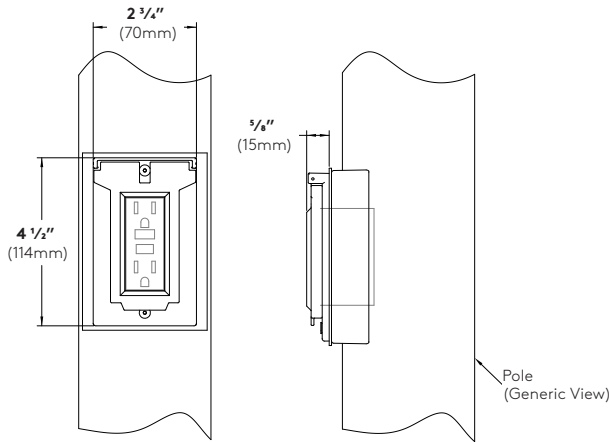
Wire Designation Table		
Source Voltage (VAC)	Wire Color	Wire Designation
120V, 277V, or 347V	Black	L1
	White	Neutral
208V, 240V, or 480V	Black	L1
	Red	L2
UNV (120V-277V)	Black	L1
	White	Neutral (120/277V) or L2 (208/240V)

Optional Accessories

Photo Cell Tenon (PCT) - Button type photocell mounted in cast aluminum pole top tenon. Tenon has integral cast visor to prevent false start/stop cycle and can be oriented for optimum performance. Refer to luminaire spec sheet to determine if this option is applicable.

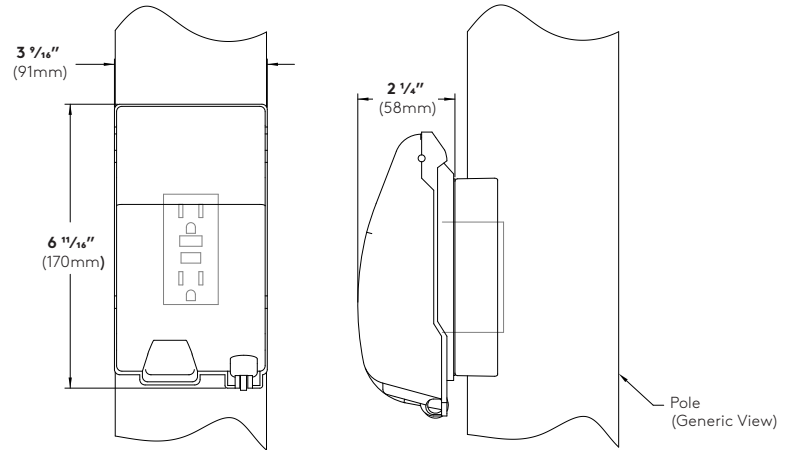


REC and REC3



Cover shown in the closed position

REC2 and REC4



Cover shown in the closed position

GFCI Receptacle (REC) - 120V 15A GFCI duplex receptacle with weatherproof, self-closing cover; located 36" (915mm) o.c. from base of pole, in-line with hand hole. Receptacle is intended only for portable tools or other portable equipment to be connected to outlet only when attended by operating personnel (120V only).

USB & Duplex Receptacle (REC3) (not shown) - 120V 20A duplex receptacle with USB combination ports. (1) type A and (1) type C high power 5A, 5V USB outlets. With weatherproof, self-closing cover; located 36" (915mm) o.c. from base of pole, in-line with hand hole. Receptacle is intended only for portable tools or other portable equipment to be connected to outlet only when attended by operating personnel.

REC3 does not incorporate GFCI (Ground Fault Circuit Interrupter) protection, and shall be powered by a GFCI protected branch circuit (by others).

GFCI Receptacle (REC2) - 120V 15A GFCI duplex receptacle with weatherproof, self-closing, padlockable in-use cover; located 36" (915mm) o.c. from base of pole, in-line with hand hole. Receptacle is intended only for portable tools or other portable equipment to be connected to outlet only when attended by operating personnel (120V only).

USB & Duplex Receptacle (REC4) (not shown) - 120V 20A duplex receptacle with USB combination ports. (1) type A and (1) type C high power 5A, 5V USB outlets. With weatherproof, self-closing padlockable in-use cover; located 36" (915mm) o.c. from base of pole, in-line with hand hole. Receptacle is intended only for portable tools or other portable equipment to be connected to outlet only when attended by operating personnel.

REC4 does not incorporate GFCI (Ground Fault Circuit Interrupter) protection, and shall be powered by a GFCI protected branch circuit (by others).

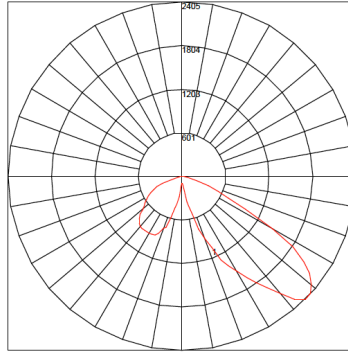
Saturn Cutoff 2 LED



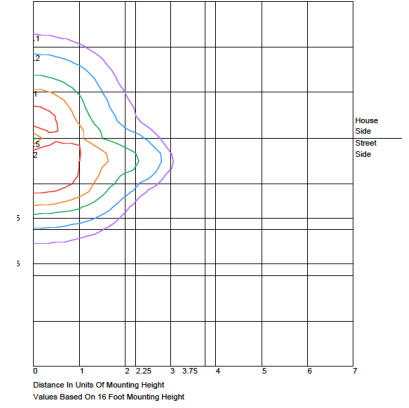
Photometry

R1 Optics / 39W / 3000K CCT

Catalog #: SAC2L-R1-5G450-30
 Delivered Lumens: 4352
 Efficacy: 112lm/W
 Maximum candela of 2405 at 47.5° from vertical.
 IES classification - Type II
 Mounting Height = 16'
 B1-U0-G1



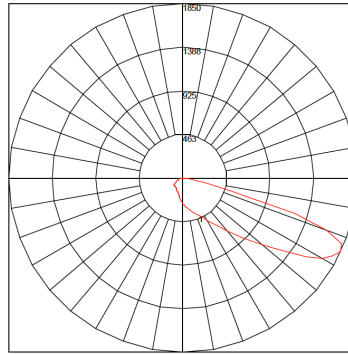
Maximum Candela = 2405 Located At Horizontal Angle = 35, Vertical Angle = 47.5
 # 1 - Vertical Plane Through Horizontal Angles (55 - 215) (Through Max. Cd.)



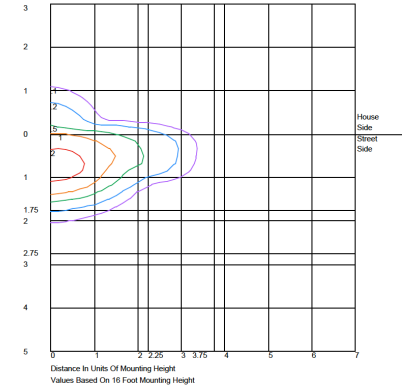
Distance In Units Of Mounting Height
 Values Based On 16 Foot Mounting Height

R1 Optics with HS / 39W / 3000K CCT

Catalog #: SAC2L-R1-5G450-30-HS
 Delivered Lumens: 3330
 Efficacy: 85lm/W
 Maximum candela of 2336.3 at 47.5° from vertical.
 IES classification - Type II
 Mounting Height = 16'
 B1-U0-G0



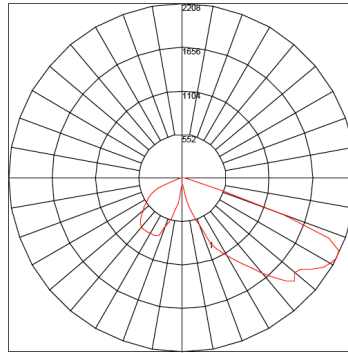
Maximum Candela = 1850.446 Located At Horizontal Angle = 75, Vertical Angle = 65
 # 1 - Vertical Plane Through Horizontal Angles (75 - 255) (Through Max. Cd.)



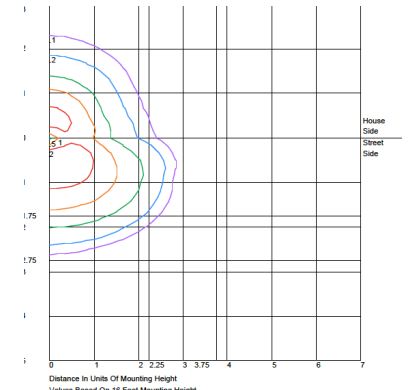
Distance In Units Of Mounting Height
 Values Based On 16 Foot Mounting Height

R2 Optics / 39W / 3000K CCT

Catalog #: SAC2L-R2-5G450-30
 Delivered Lumens: 4416
 Efficacy: 113lm/W
 Maximum candela of 2208.4 at 62.5° from vertical.
 IES classification - Type III
 Mounting Height = 16'
 B1-U0-G1



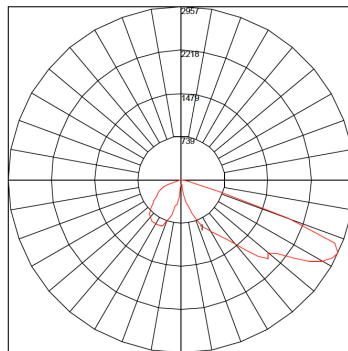
Maximum Candela = 2208.4 Located At Horizontal Angle = 55, Vertical Angle = 62.5
 # 1 - Vertical Plane Through Horizontal Angles (55 - 235) (Through Max. Cd.)



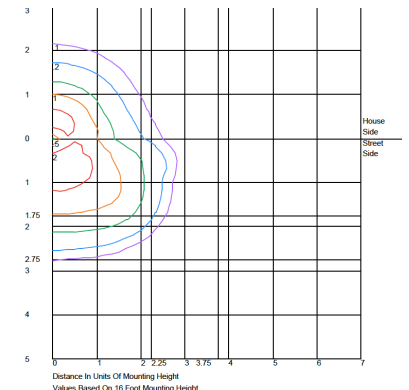
Distance In Units Of Mounting Height
 Values Based On 16 Foot Mounting Height

R3 Optics / 39W / 3000K CCT

Catalog #: SAC2L-R3-5G450-30
 Delivered Lumens: 4414
 Efficacy: 113lm/W
 Maximum candela of 2957.1 at 65° from vertical.
 IES classification - Type III
 Mounting Height = 16'
 B1-U0-G1



Maximum Candela = 2957.1 Located At Horizontal Angle = 45, Vertical Angle = 65
 # 1 - Vertical Plane Through Horizontal Angles (45 - 225) (Through Max. Cd.)



Distance In Units Of Mounting Height
 Values Based On 16 Foot Mounting Height

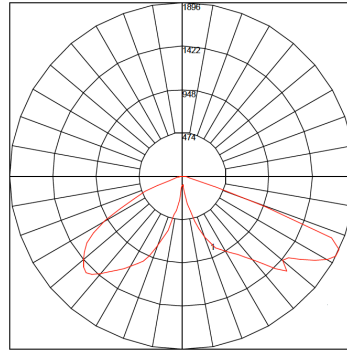
Saturn Cutoff 2 LED

Photometry

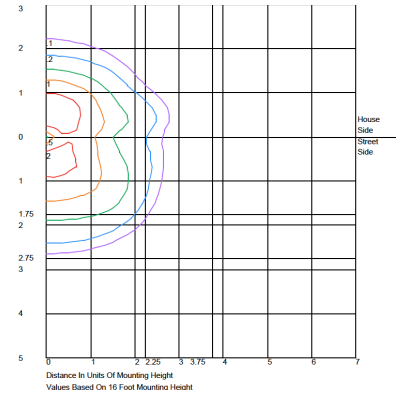


R3W Optics / 39W / 3000K CCT

Catalog #: SAC2L-R3W-5G450-30
 Delivered Lumens: 4479
 Efficacy: 115lm/W
 Maximum candela of 1896 at 62.5° from vertical.
 IES classification - Type III
 Mounting Height = 16'
 B2-U0-G1



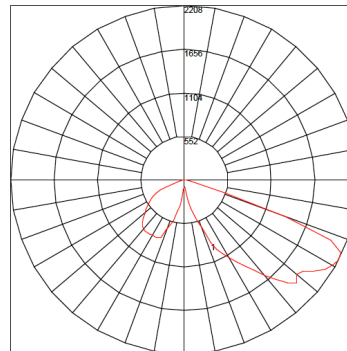
Maximum Candela = 1896 Located At Horizontal Angle = 45, Vertical Angle = 62.5
 # 1 - Vertical Plane Through Horizontal Angles (45 - 225) (Through Max. Cd.)



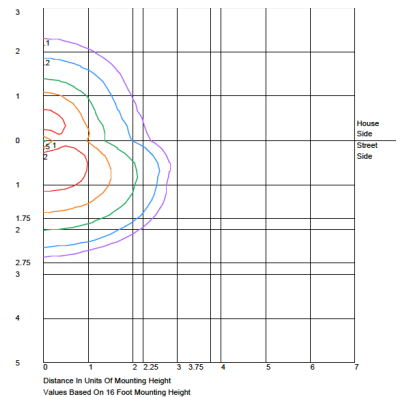
Distance In Units Of Mounting Height
 Values Based On 16 Foot Mounting Height

R4 Optics / 39W / 3000K CCT

Catalog #: SAC2L-R4-5G450-30
 Delivered Lumens: 4423
 Efficacy: 113lm/W
 Maximum candela of 3146.1 at 67.5° from vertical.
 IES classification - Type III
 Mounting Height = 16'
 B1-U1-G1



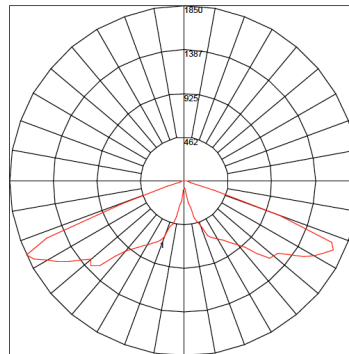
Maximum Candela = 3146.1 Located At Horizontal Angle = 55, Vertical Angle = 67.5
 # 1 - Vertical Plane Through Horizontal Angles (55 - 235) (Through Max. Cd.)



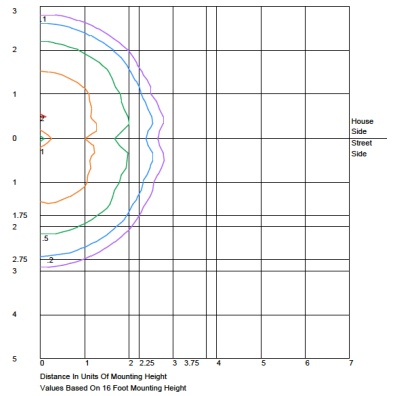
Distance In Units Of Mounting Height
 Values Based On 16 Foot Mounting Height

R5R Optics / 39W / 3000K CCT

Catalog #: SAC2L-R5R-5G450-30
 Delivered Lumens: 4548
 Efficacy: 117lm/W
 Maximum candela of 1849.9 at 65° from vertical.
 IES classification - N/A
 Mounting Height = 16'
 B2-U0-G2



Maximum Candela = 1849.9 Located At Horizontal Angle = 180, Vertical Angle = 65
 # 1 - Vertical Plane Through Horizontal Angles (180 - 0) (Through Max. Cd.)



Distance In Units Of Mounting Height
 Values Based On 16 Foot Mounting Height

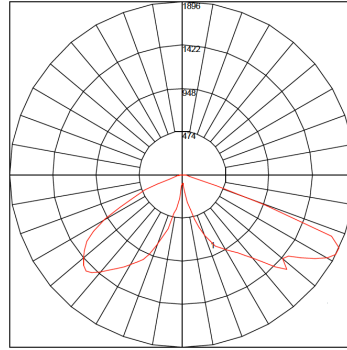
Saturn Cutoff 2 LED



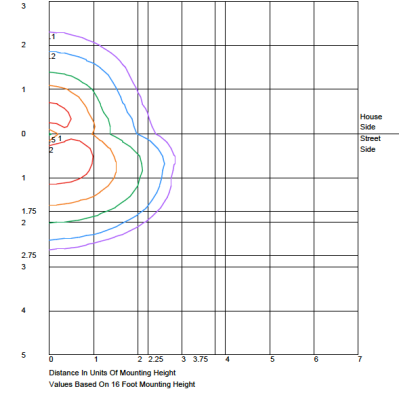
Photometry

R5S Optics / 39W / 3000K CCT

Catalog #: SAC2L-R5S-5G450-30
 Delivered Lumens: 4517
 Efficacy: 116lm/W
 Maximum candela of 1943 at 65° from vertical.
 IES classification - N/A
 Mounting Height = 16'
 B2-U0-G2



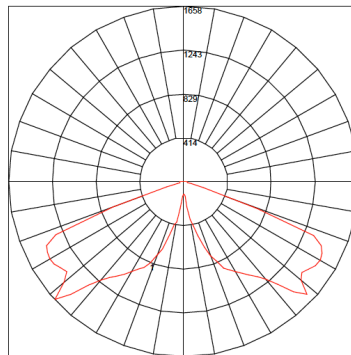
Maximum Candela = 1943 Located At Horizontal Angle = 45, Vertical Angle = 62.5
 # 1 - Vertical Plane Through Horizontal Angles (45 - 225) (Through Max. Cd.)



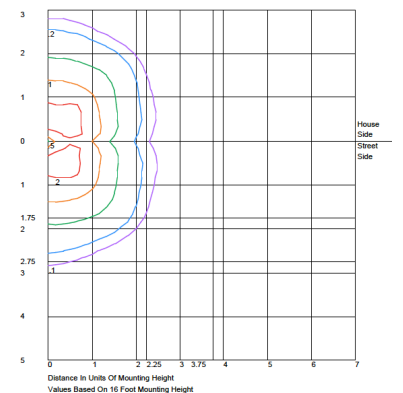
Distance in Units Of Mounting Height
 Values Based On 16 Foot Mounting Height

R5Q Optics / 39W / 3000K CCT

Catalog #: SAC2L-R5Q-5G450-30-HS
 Delivered Lumens: 4475
 Efficacy: 115lm/W
 Maximum candela of 1657.7 at 47.5° from vertical.
 IES classification - N/A
 Mounting Height = 16'
 B2-U0-G2



Maximum Candela = 1657.7 Located At Horizontal Angle = 145, Vertical Angle = 47.5
 # 1 - Vertical Plane Through Horizontal Angles (145 - 325) (Through Max. Cd.)



Distance in Units Of Mounting Height
 Values Based On 16 Foot Mounting Height

T TM-21 Lifetime Calculation						
Light Engine	Ambient Temp (°C)	Lumen Maintenance (% at hours)				Reported L ₇₀
		25k ¹	50k ¹	75k ²	100k ²	
LG4500	25°C	99.8%	99.8%	99.8%	99.8%	L70(12k) > 70,000 hours
	40°C	99.8%	99.8%	99.8%	99.8%	L70(12k) > 70,000 hours
LG4150	25°C	99.8%	99.8%	99.8%	99.8%	L70(12k) > 70,000 hours
	40°C	99.8%	99.8%	99.8%	99.8%	L70(12k) > 70,000 hours
LG4150	25°C	99.8%	99.8%	99.8%	99.8%	L70(12k) > 70,000 hours
	40°C	99.8%	99.8%	99.8%	99.8%	L70(12k) > 70,000 hours

¹ Calculated in accordance with IESNA TM-21-11, projected values are within six times (6x) the IESNA LM-80-08 test duration
² Projected values are outside six times (6x) the IESNA LM-80-08 test duration