

Date: _____ Customer: _____
 Project: _____
 Type: _____ Qty: _____



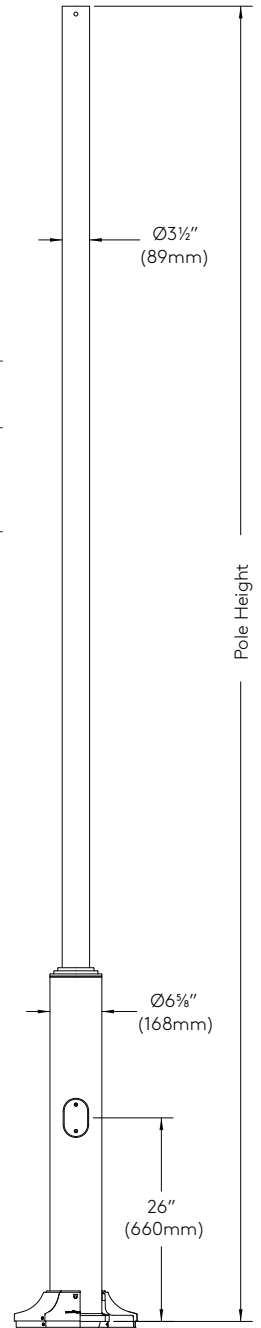
S635

6" to 3 1/2" Round Straight Stepped Steel Pole

Order Code: S635 - _____ - _____ - _____

<u>S635</u>	Series	S635 6" to 3 1/2" Round Straight Stepped Steel Pole					
	Height	8 8'	10 10'	12 12'	14 14'	16 16'	18 18'
	Finish	WH White	BK Black	BZ Bronze	SV Silver	SP Specify Premium Color	
	Options	BC6 Standard Base Cover	REC GFCI Receptacle with weather- proof cover	REC2 GFCI Receptacle with padlockable in-use cover	REC3 USB and Duplex Receptacle with weather- proof cover	REC4 USB and Duplex Receptacle with weatherproof padlockable in-use coverable in use cover	MS Motion Sensor with Optional Photocell (Meets Title 24 requirement)

For PCT refer to fixture
spec sheets (where
applicable).
For other option please
consult factory.



Product Modifications

Please list modification requirements for review by factory:

Approvals

Date: _____

Specifications

Height (ft)	Bolt Circle (in)	Max Luminaire Weight (lbs)	S635 - EPA Matrix										
			85 mph	90 mph	100 mph	110 mph	120 mph	130 mph	140 mph	150 mph	160 mph	170 mph	180 mph
8 8ft	9.00	150	34.4	30.6	24.6	20.2	16.8	14.2	12.2	10.5	9.2	8.1	7.2
10 10ft			28.5	23.5	20.2	16.5	13.7	11.5	9.8	8.5	7.4	6.5	5.7
12 12ft			23.6	21.0	16.9	13.7	11.3	9.4	8.0	6.9	6.0	5.2	4.6
14 14ft			18.2	16.2	13.1	10.5	8.6	7.0	5.9	5.0	4.4	3.8	3.3
16 16ft			15.6	13.9	11.2	8.9	7.1	5.7	4.8	4.0	3.5	3.0	2.6
18 18ft			13.7	12.2	9.5	7.5	5.9	4.6	3.8	3.2	2.7	2.3	2.0
20 20ft			12.1	10.8	8.2	6.3	4.8	3.7	2.9	2.4	2.0	1.7	1.4

- 1) Maximum EPA ratings certified in accordance with AASHTO 2013 (LTS-6) for 3-s gust wind speeds based on Allowable Stress Design (ASD) analysis
- 2) Consult factory for equivalent Load and Resistance Factor Design (LRFD) wind speeds
- 3) Centroid of all loads located a max height of 2'-6" above pole top and 2'-0" eccentric
- 4) Rated performance is dependant upon the pole being properly attached to a supporting foundation of adequate design

Pole Shaft - Pole shaft is constructed of ASTM A500 steel tubing.

Anchor Base - Anchor base is manufactured of ¾" thick ASTM A709 steel. The anchor base and shaft are joined by a continuous circumferential weld at the out-side top and inside bottom of the anchor base.

Access Hole - Reinforced opening measures 2 ⅜" x 4 ⅛" (76 x 127mm). Flush access cover is supplied with tamper resistant fasteners. ⅜"-18 ground lug is located inside pole, opposite the hand hole.

Anchor Bolts - Pole is supplied with four ¾ x 17" steel hot dip galvanized anchor bolts each with two nuts, two flat washers and one lock washer.

Base Cover - Standard one-piece base cover is made from cast 319 alloy aluminum which is heat treated to produce a T6 temper, measuring 4 ⅞" (105mm) high by 15 ¾" (400mm) diameter.

Exterior Luminaire Finish - Selux utilizes a high quality Polyester Powder Coating. All Selux luminaires and poles are finished in our Tiger Drylac certified facility and undergo a five stage intensive pretreatment process where product is thoroughly cleaned, phosphated and sealed. Selux powder coated products provide excellent salt and humidity resistance as well as ultra violet resistance for color retention. All products are tested in accordance with test specifications for coatings from ASTM and PCI.

Standard exterior colors are White (WH), Black (BK), Black Matte (BL) Bronze (BZ), and Silver (SV). Selux pre-mium colors (SP) are available, please specify from your Selux color selection guide. Hot Dip Galvanized finish (GV) on all steel parts also available.

All Poles are constructed per AASHTO 2013 Sixth Edition (LTS-6) - Standard Specifications for Structural Supports for Highway Signs, Luminaires, and Traffic Signals. A consideration of field conditions such as (but not limited

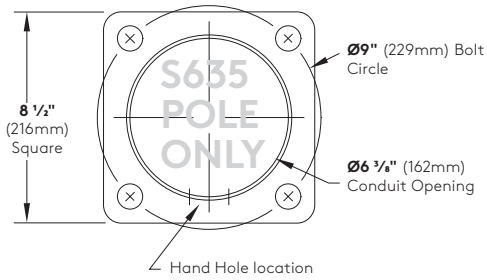
to) wind zone, height, vibration must be given by the designer/specifier for the appropriate application.

Performance of poles is dependent upon proper support/attachment of pole to adequate foundation design. Selux does not design or offer recommendations for foundations. EPA values assume that the bottom of the pole is at grade level.

Call Selux (1-800-SELUXCS) if there are any questions, or for any assistance in determining suitability with appropriate fixtures.

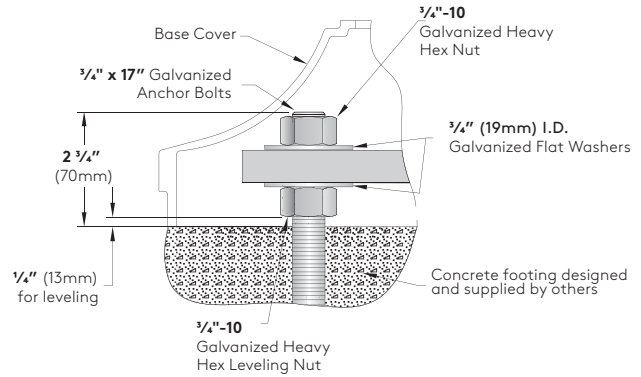
Bolt Circle

Use caution when setting anchor bolts. Bolts must be vertically straight and centered on dimensions shown

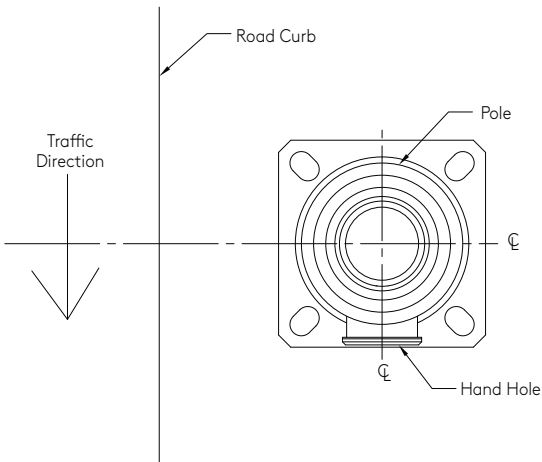


Note: Adequate drainage must be provided in concrete foundation.

Anchor Bolt Detail



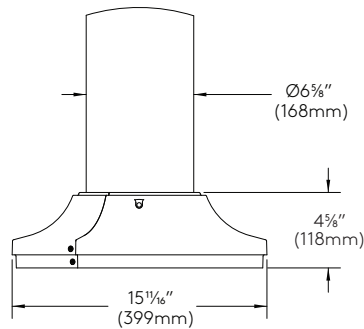
Hand hole



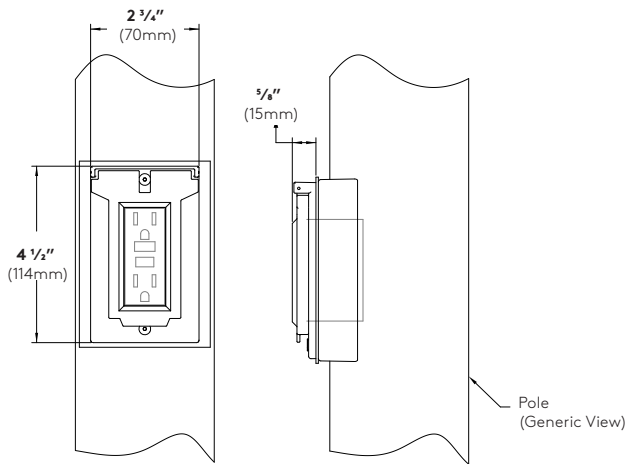
AASHTO recommended orientation of hand hole AASPHTO

BC6 Standard Base Cover

Two-piece cast aluminum..

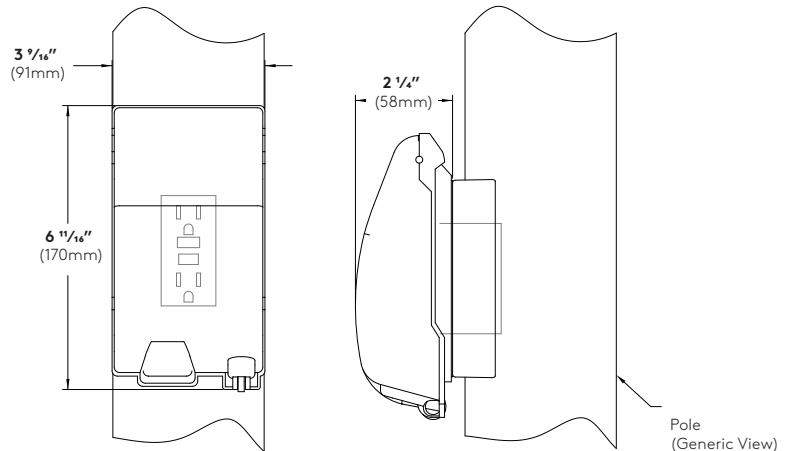


Optional Accessories



Cover shown in the closed position.

*Physical size subject to change pending availability.



Cover shown in the closed position.

GFCI Receptacle (REC) - 120V 15A GFCI duplex receptacle with weatherproof, self-closing cover; located 36" (915mm) o.c. from base of pole, in-line with hand hole. Receptacle is intended only for portable tools or other portable equipment to be connected to outlet only when attended by operating personnel (120V only).

USB & Duplex Receptacle (REC3) (not shown) - 120V 20A duplex receptacle with USB combination ports. (1) type A and (1) type C high power 5A, 5V USB outlets. With weatherproof, self-closing cover; located 36" (915mm) o.c. from base of pole, in-line with hand hole. Receptacle is intended only for portable tools or other portable equipment to be connected to outlet only when attended by operating personnel.

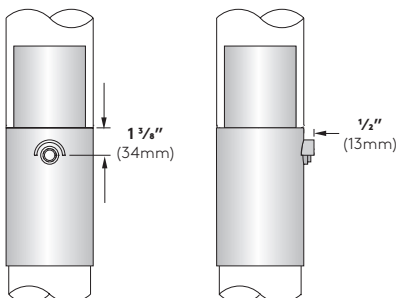
REC3 does not incorporate GFCI (Ground Fault Circuit Interrupter) protection, and shall be powered by a GFCI protected branch circuit (by others).

GFCI Receptacle (REC2) - 120V 15A GFCI duplex receptacle with weatherproof, self-closing, padlockable in-use cover; located 36" (915mm) o.c. from base of pole, in-line with hand hole. Receptacle is intended only for portable tools or other portable equipment to be connected to outlet only when attended by operating personnel (120V only).

USB & Duplex Receptacle (REC4) (not shown) - 120V 20A duplex receptacle with USB combination ports. (1) type A and (1) type C high power 5A, 5V USB outlets. With weatherproof, self-closing padlockable in-use cover; located 36" (915mm) o.c. from base of pole, in-line with hand hole. Receptacle is intended only for portable tools or other portable equipment to be connected to outlet only when attended by operating personnel.

REC4 does not incorporate GFCI (Ground Fault Circuit Interrupter) protection, and shall be powered by a GFCI protected branch circuit (by others).

Photo Cell Tenon (PCT) - Button type photocell mounted in cast aluminum pole top tenon. Tenon has integral cast visor to prevent false start/stop cycle and can be oriented for optimum performance. *Refer to luminaire spec sheet to determine if this option is applicable.*



Round Pole Motion Sensor

The Selux outdoor rated sensor incorporates Passive Infrared (PIR) Technology for motion sensing and also includes built-in photocell. Sensor comes pre-installed in cast aluminum housing painted to match pole finish.

Series	Hand Hole Orientation	Dim Level	Photocell Feature	Voltage
MS Motion Sensor	00 0° Clockwise from Hand Hole	D0 (Off)	Y Yes	UNV (100-347VAC single phase or 208/230/480VAC phase-to-phase)
	09 90° Clockwise from Hand Hole	D1 (1V=10%)		
	18 180° Clockwise from Hand Hole	D3 (3V=30%)	N No	
	27 270° Clockwise from Hand Hole	D5 (5V=50%)		

Factory Defaults:

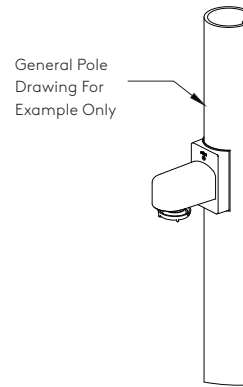
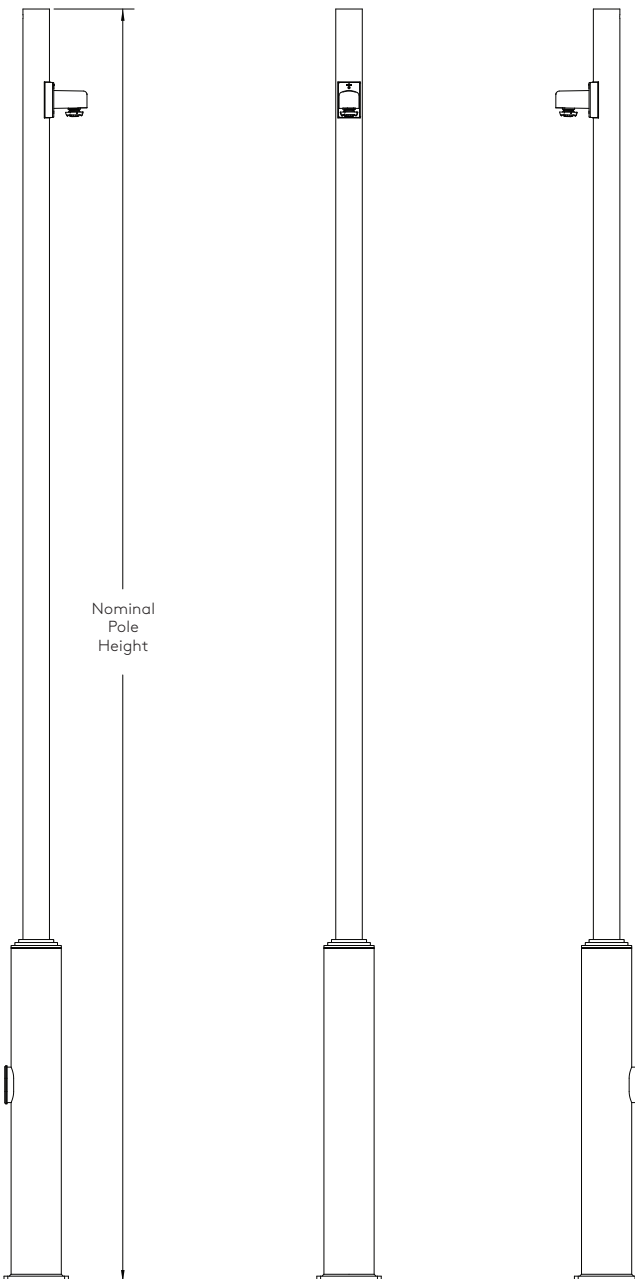
Delay to Dim: 5 minutes

Delay to Off: 1 hour

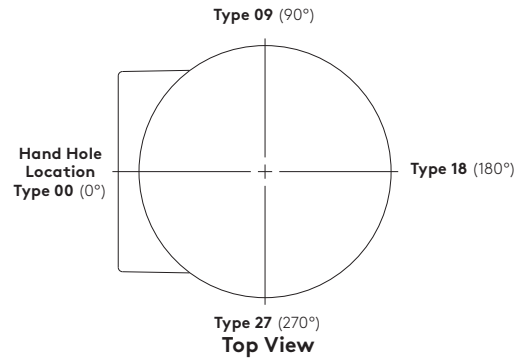
Sensitivity: Max

Custom Programming: Consult Factory

Note: Motion sensor comes programmed at 30% dimmed level with a 5 min. delay as default. All programming required after shipping by others.



Sensor angular orientation from hand hole 0° 90° increments clockwise around pole (Type 00, 09, 18, 27)

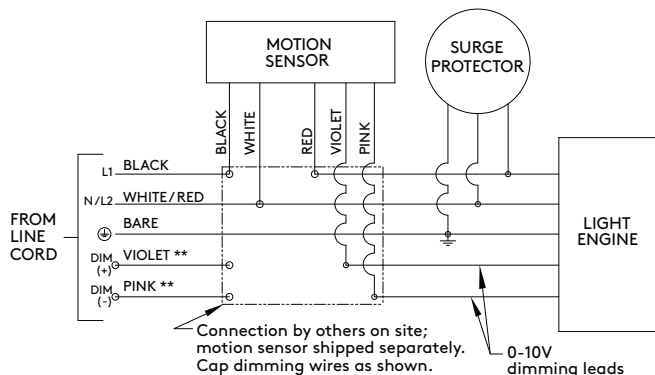


Motion Sensor Features

- Customize programming using smartphone application (Refer to the FSP-321 at www.wattstopper.com)
- 5 Year Warranty
- 100% Digital PIR Detection, excellent RF Immunity
- 270° coverage pattern
- IP66 Rated for outdoor applications
- Made for LED light source
- Adjustable time delays, max/min dim levels, and ramp rates
- Suitable for Title 24 applications

(For coverage details refer to wattstopper FSP-321 spec sheet at www.wattstopper.com)

Motion Sensor Option (MS) Wiring (120-480V)



Wire Designation Table		
Source Voltage (VAC)	Wire Color	Wire Designation
120V, 277V, or 347V	Black	L1
	White	Neutral
208V, 240V, or 480V	Black	L1
	Red	L2
UNV (120V-277V)	Black	L1
	White	Neutral (120/277V) or L2 (208/240V)