

Date: \_\_\_\_\_ Customer: \_\_\_\_\_

Project: \_\_\_\_\_

Type: \_\_\_\_\_ Qty: \_\_\_\_\_

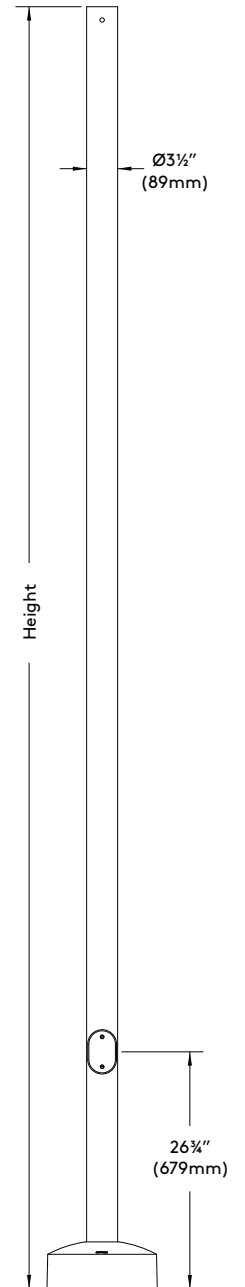


# S35

## 3 1/2" Round Straight Steel Pole

Order Code:   S35   - \_\_\_\_\_ - \_\_\_\_\_ - \_\_\_\_\_

<u>  S35  </u>	<b>Series</b>	<b>S35</b> 3 1/2" Round Straight Steel Pole					
_____	<b>Height</b>	<b>8</b> 8'	<b>10</b> 10'	<b>12</b> 12'	<b>14</b> 14'	<b>16</b> 16'	<b>18</b> 18'
_____	<b>Finish</b>	<b>WH</b> White	<b>BK</b> Black	<b>BL</b> Semi-Matte Black	<b>BZ</b> Bronze	<b>SV</b> Silver	<b>SP</b> Specify Premium Color
_____	<b>Options</b>	<b>REC<sup>1</sup></b> GFCI Receptacle with weather-proof cover	<b>REC2<sup>1</sup></b> GFCI Receptacle with padlockable in-use cover	<b>REC3<sup>1</sup></b> USB & Duplex Receptacle with weather-proof cover	<b>REC4<sup>1</sup></b> USB & Duplex Receptacle with weather-proof padlockable in-use cover	<b>MS<sup>2</sup></b> Motion Sensor Meets Title 24 Requirements)	<sup>1</sup> See page 3-4 for details <sup>2</sup> See pages 5-6 for details
		<b>BC5</b> Standard Cast Aluminum Base Cover	<b>T30</b> Supplied with Ø3" Tenon, 4" High	<b>PCT<sup>1</sup></b> GFCI Photocell Tenon			



### Product Modifications

Please list modification requirements for review by factory:

### Approvals

Date: \_\_\_\_\_

**Specifications**

**1. Pole Shaft** - Pole shaft is constructed of ASTM A500 steel tubing.

**2. Anchor Base** - Anchor base is manufactured of 3/4" thick ASTM A709 steel. The anchor base and shaft are joined by a continuous circumferential weld at the outside top and inside bottom of the anchor base.

**3. Access Hole** - The opening measures 2" x 4" (50 x 100mm) oval opening reinforced hand hole. Cover is supplied with tamper resistant fasteners. 5/16"-18 ground lug is located inside pole, opposite the hand hole.

**4. Anchor Bolts** - Pole is supplied with four 3/4" x 17" steel hot dip galvanized anchor bolts each with two nut and two flat washers.

**5. Base Cover** - Standard two-piece base cover is made from die cast A360 alloy aluminum.

**Exterior Luminaire Finish** - Selux utilizes a high quality Polyester Powder Coating. All Selux luminaires and poles are finished in our Tiger Drylac certified facility and undergo a five stage intensive pretreatment process where product is thoroughly cleaned, phosphated and sealed. Selux powder coated products provide excellent salt and humidity resistance as well as ultraviolet resistance for color retention. All products are tested in accordance with test specifications for coatings from ASTM and PCI.

Standard exterior colors are White (WH), Black (BK), Semi-Matte Black, Bronze (BZ), and Silver (SV). Selux premium colors (SP) are available, please specify from your Selux color selection guide. Hot Dip Galvanized finish (GV) on all steel parts also available.

**All Poles** are constructed per AASHTO standards for structural supports for highway signs, luminaires and traffic signals as published in 2013 (LTS-6).

A consideration of field conditions such as (but not limited to) wind zone, height, and vibration must be given by the designer/specifier for the appropriate application.

Performance of poles is dependent upon proper support/attachment of pole to adequate foundation design. Selux does not design or offer recommendations for foundations. EPA values assume that the bottom of the pole is at grade level.

**Call Selux** (1-800-SELUXCS) if there are any questions, or for any assistance in determining suitability with appropriate fixtures.

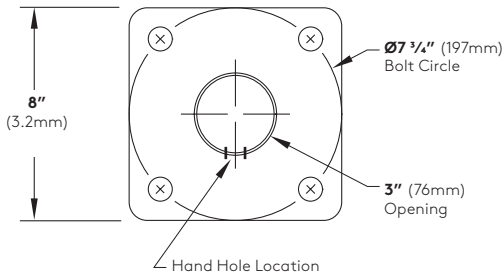
S35 - EPA MATRIX (ft²)														
Height (ft)	Bolt Circle (in)	Wall Thk (in)	Max Luminaire Weight (lbs)	Maximum EPA (ft²) / Basic Wind Speed (mph)										
				85 mph	90 mph	100 mph	110 mph	120 mph	130 mph	140 mph	150 mph	160 mph	170 mph	180 mph
8	Ø7 3/4"	1/8	100	13.1	11.5	9.2	7.4	6.0	5.0	4.2	3.6	3.2	2.8	2.4
10				10.5	9.2	7.2	5.7	4.6	3.7	3.1	2.6	2.3	2.0	1.7
12				8.6	7.5	5.7	4.4	3.5	2.7	2.2	1.9	1.6	1.3	1.1
14				6.3	5.4	4.0	3.0	2.2	1.6	1.2	1.0	0.8	0.6	0.5
16				5.1	4.3	3.1	2.1	1.4	0.9	0.6	0.4	0.3	-	-
18				4.2	3.4	2.2	1.4	0.8	0.3	-	-	-	-	-

S35 with REC														
Height (ft)	Bolt Circle (in)	Wall Thk (in)	Max Luminaire Weight (lbs)	Maximum EPA (ft²) / Basic Wind Speed (mph)										
				85 mph	90 mph	100 mph	110 mph	120 mph	130 mph	140 mph	150 mph	160 mph	170 mph	180 mph
8	Ø7 3/4"	1/8	100	3.8	3.3	2.4	1.8	1.3	0.9	0.7	0.5	0.4	0.3	-
10				2.4	1.9	1.2	0.7	1.4	-	-	-	-	-	-
12				1.2	0.9	0.3	-	-	-	-	-	-	-	-

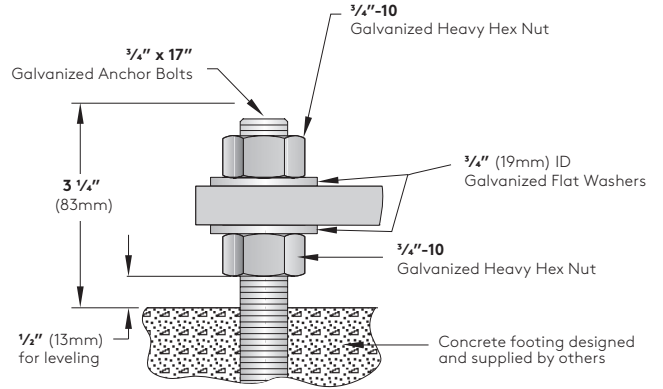
- Notes:**
- 1) Maximum EPA ratings certified in accordance with AASHTO 2013 (LTS-6) for 3-s gust wind speeds based on Allowable Stress Design (ASD) analysis
  - 2) Consult factory for equivalent Load and Resistance Factor Design (LRFD) wind speeds
  - 3) Centroid of all loads located a max height of 2'-6" above pole top and 2'-0" eccentric
  - 4) Rated performance is dependant upon the pole being properly attached to a supporting foundation of adequate design

**Bolt Circle**

Use caution when setting anchor bolts. Bolts must be vertically straight and centered on dimensions shown.



**Anchor Bolt Detail**



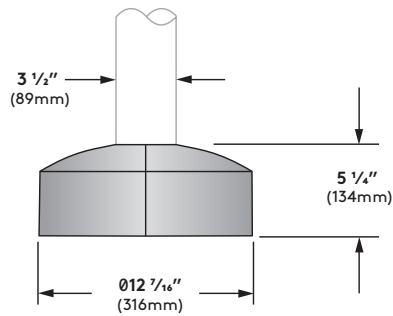
**Note:** Adequate drainage must be provided in concrete foundation or grout.

**Base Cover Information**

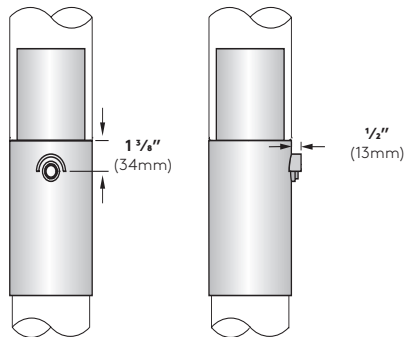
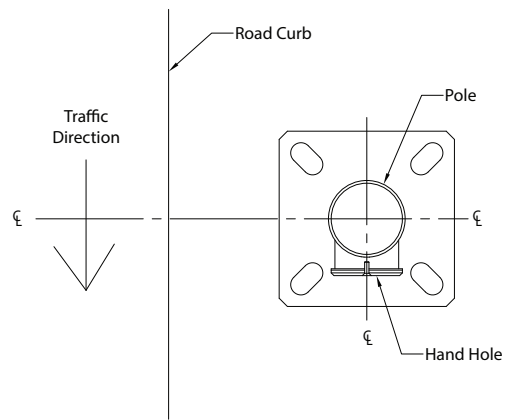
Refer to pole specification sheets for construction details, anchorage information, and additional options.

**Straight Poles (S35) BC5 Standard Base Cover**

Two-piece cast aluminum

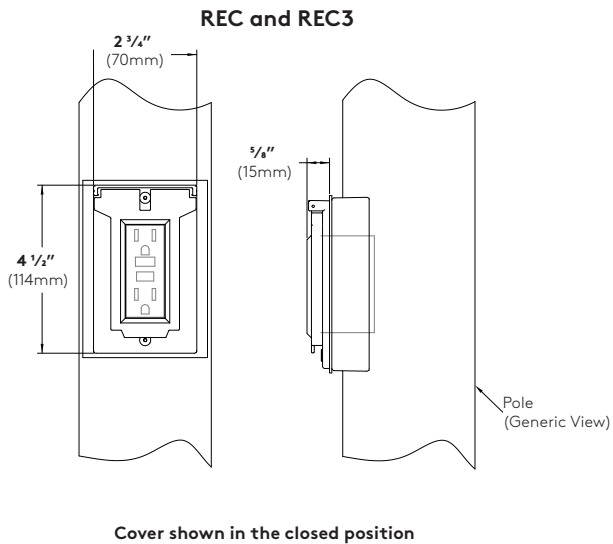


**AASHTO recommended orientation of hand hole AASHTO**



**Photo Cell Tenon (PCT)** - Button type photocell mounted in cast aluminum pole top tenon. Tenon has integral cast visor to prevent false start/stop cycle and can be oriented for optimum performance. Refer to luminaire spec sheet to determine if this option is applicable.

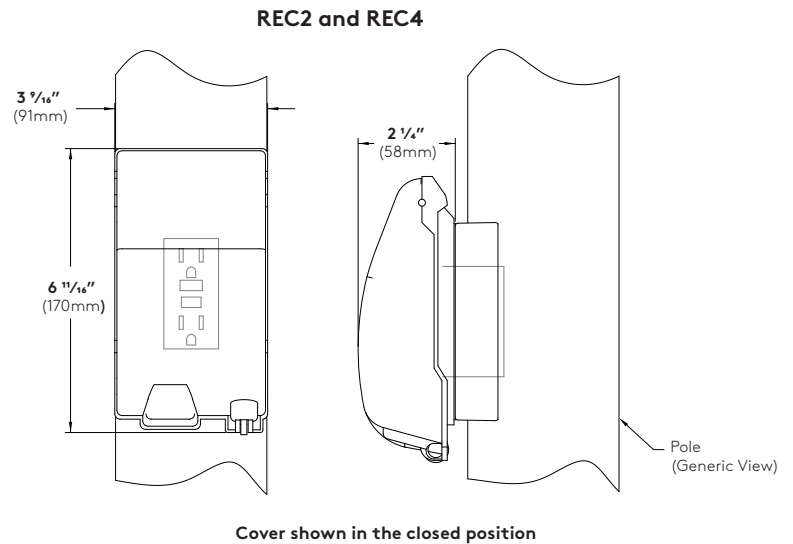
## Optional Accessories



**GFCI Receptacle (REC)** - 120V 15A GFCI duplex receptacle with weatherproof, self-closing cover; located 36" (915mm) o.c. from base of pole, in-line with hand hole. Receptacle is intended only for portable tools or other portable equipment to be connected to outlet only when attended by operating personnel (120V only).

**USB & Duplex Receptacle (REC3)** (not shown) - 120V 20A duplex receptacle with USB combination ports. (1) type A and (1) type C high power 5A, 5V USB outlets. With weatherproof, self-closing cover; located 36" (915mm) o.c. from base of pole, in-line with hand hole. Receptacle is intended only for portable tools or other portable equipment to be connected to outlet only when attended by operating personnel.

REC3 does not incorporate GFCI (Ground Fault Circuit Interrupter) protection, and shall be powered by a GFCI protected branch circuit (by others).



**GFCI Receptacle (REC2)** - 120V 15A GFCI duplex receptacle with weatherproof, self-closing, padlockable in-use cover; located 36" (915mm) o.c. from base of pole, in-line with hand hole. Receptacle is intended only for portable tools or other portable equipment to be connected to outlet only when attended by operating personnel (120V only).

**USB & Duplex Receptacle (REC4)** (not shown) - 120V 20A duplex receptacle with USB combination ports. (1) type A and (1) type C high power 5A, 5V USB outlets. With weatherproof, self-closing padlockable in-use cover; located 36" (915mm) o.c. from base of pole, in-line with hand hole. Receptacle is intended only for portable tools or other portable equipment to be connected to outlet only when attended by operating personnel.

REC4 does not incorporate GFCI (Ground Fault Circuit Interrupter) protection, and shall be powered by a GFCI protected branch circuit (by others).

**Round Pole Motion Sensor**

The Selux outdoor rated sensor incorporates Passive Infrared (PIR) Technology for motion sensing and also includes built-in photocell. Sensor comes pre-installed in cast aluminum housing painted to match pole finish.

Series	Hand Hole Orientation	Dim Level	Photocell Feature	Voltage
<b>MS</b> Motion Sensor	<b>00</b> 0° Clockwise from Hand Hole	<b>D0</b> (Off)	<b>Y</b> Yes	<b>UNV</b> (100-347VAC single phase or 208/230/480VAC phase-to-phase)
	<b>09</b> 90° Clockwise from Hand Hole	<b>D1</b> (1V=10%)		
	<b>18</b> 180° Clockwise from Hand Hole	<b>D3</b> (3V=30%)	<b>N</b> No	
	<b>27</b> 270° Clockwise from Hand Hole	<b>D5</b> (5V=50%)		

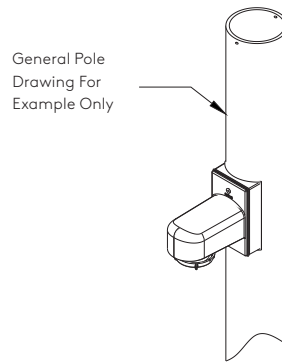
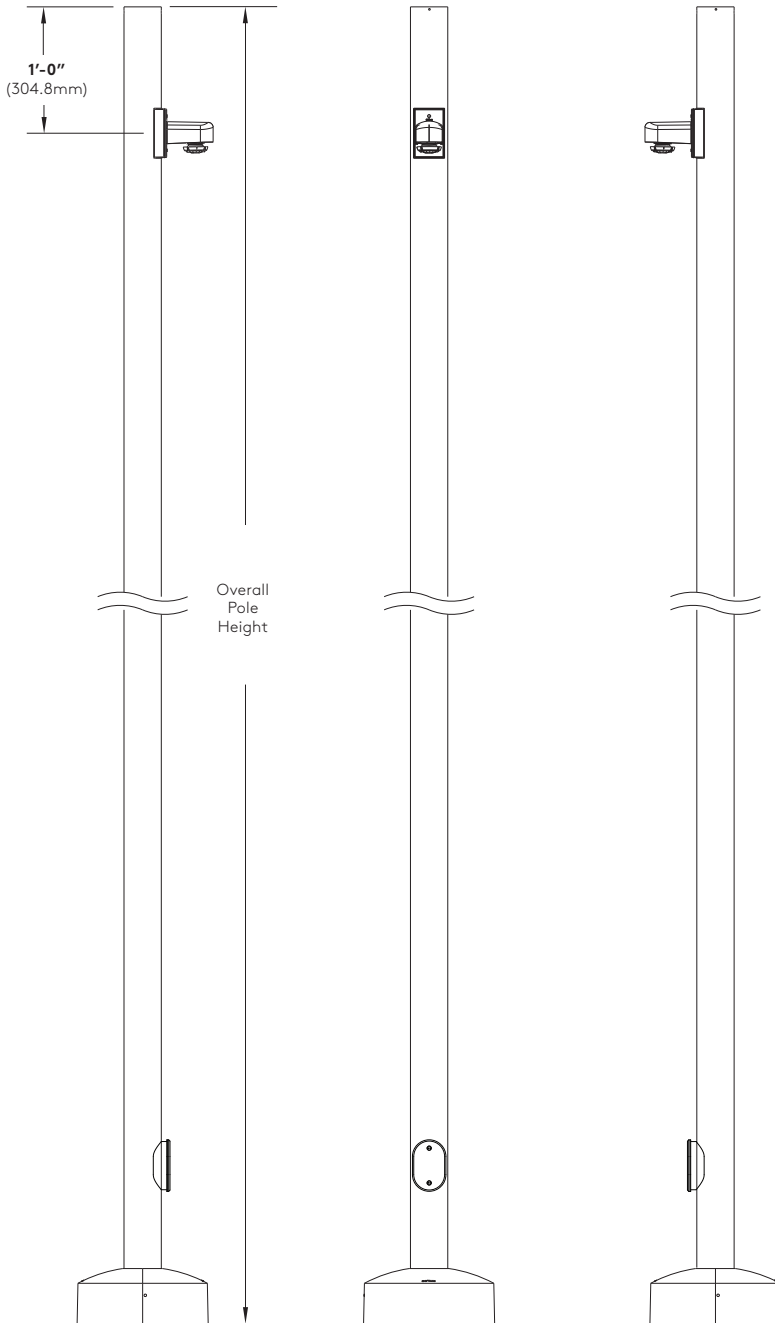
**Factory Defaults:**

Delay to Dim: 5 minutes

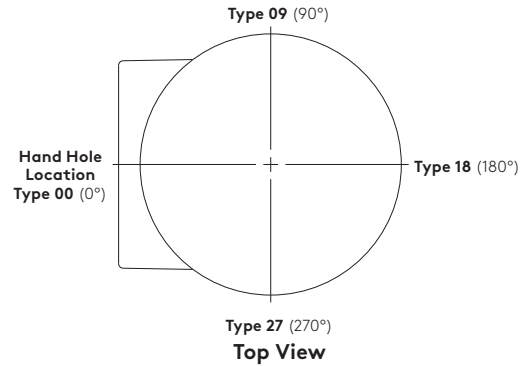
Delay to Off: 1 hour

Sensitivity: Max

Custom Programming: Consult Factory



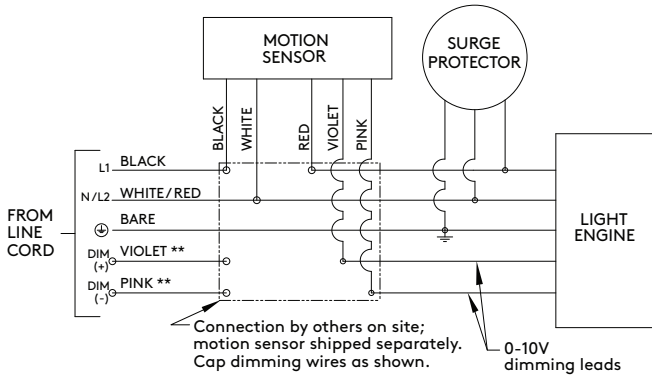
Sensor angular orientation from hand hole 0° 90° increments clockwise around pole (Type 00, 09, 18, 27)



**Motion Sensor Features**

- Customize programming using smartphone application (Refer to the FSP-321 at [www.wattstopper.com](http://www.wattstopper.com))
  - 5 Year Warranty
  - 100% Digital PIR Detection, excellent RF Immunity
  - 270° coverage pattern
  - IP66 Rated for outdoor applications
  - Made for LED light source
  - Adjustable time delays, max/min dim levels, and ramp rates
  - Suitable for Title 24 applications
- (For coverage details refer to wattstopper FSP-321 spec sheet at [www.wattstopper.com](http://www.wattstopper.com))

**Motion Sensor Option (MS) Wiring (120-480V)**



Wire Designation Table		
Source Voltage (VAC)	Wire Color	Wire Designation
120V, 277V, or 347V	Black	L1
	White	Neutral
208V, 240V, or 480V	Black	L1
	Red	L2
UNV (120V-277V)	Black	L1
	White	Neutral (120/277V) or L2 (208/240V)