

Date: _____ Customer: _____
 Project: _____
 Type: _____ Qty: _____

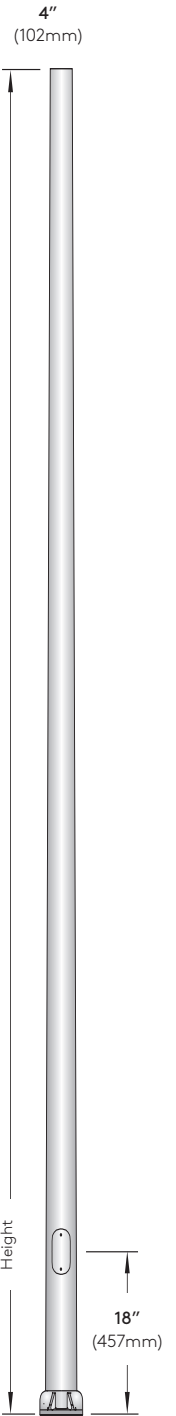


AT54

5"-4" Round Tapered Aluminum Pole

Order Code: AT54 - _____ - _____ - _____

AT54	Series	AT54 5"-4" Round Tapered Aluminum Pole							
	Height	12 12'	14 14'	16 16'	18 18"	20 20"			
	Finish	WH White	BK Black	BL Semi-Matte Black	BZ Bronze	SV Silver	SP Specify Premium Color		
	Options	BC3 Die Cast Base Cover	REC GFCI Receptacle with weather- proof cover	REC2 GFCI Receptacle with padlockable in-use cover	REC3 USB and Duplex Receptacle with weather- proof cover	REC4 USB and Duplex Receptacle with weatherproof padlockable in use cover	T30 Supplied with Ø3" Tenon, 4" high	T35 Supplied with Ø3.5" Tenon, 4.25" high	<small>¹ See page 5 for Order Code.</small> <small>* For other option please consult factory.</small>
		MS' Motion Sensor with Optional Photocell (Meets Title 24 requirements)							



Product Modifications

Please list modification requirements for review by factory:

Approvals

Date:

Specifications

Pole Shaft - Pole shaft is extruded from seamless 6061 alloy aluminum which is heat treated to a T6 temper.

Anchor Base - Anchor base is cast from 356 alloy aluminum which is heat treated to a T6 temper. The anchor base casting and shaft are joined by a continuous circumferential weld at the outside top and inside bottom of the anchor base.

Access Hole - The opening measures 2 3/8" x 4" (60mm x 100mm). Cover is supplied with tamper resistant fasteners. 3/8"-16 ground lug is located inside pole, opposite the hand hole.

Anchor Bolts - Pole is supplied with four 3/4" x 17" steel hot dip galvanized anchor bolts each with two nuts, two flat washers, and one lock washer.

Base Cover - Standard twopiece base cover is made from die-cast 356 alloy aluminum which is heat treated to produce a T6 temper, measuring 5 3/16" (131mm) height by 12 1/2" (316mm) diameter.

Exterior Luminaire Finish - Selux utilizes a high quality Polyester Powder Coating. All Selux luminaires and poles are finished in our Tiger Drylac certified facility and undergo a five stage intensive pretreatment process where product is thoroughly cleaned, phosphated and sealed. Selux powder coated products provide excellent salt and humidity resistance as well as ultra violet resistance for color retention. All products are tested in accordance with test specifications for coatings from ASTM and PCI.

Standard exterior colors are White (WH), Black (BK), Semi-Matte Black (BL), Bronze (BZ), and Silver (SV). Selux premium colors (SP) are available, please specify from your Selux color selection guide.

All Poles are constructed per AASHTO standards for structural supports for highway signs, luminaires and traffic signals as published in 2013.

A consideration of field conditions such as (but not limited to) wind zone, height, vibration must be given by the designer/specifier for the appropriate application.

Performance of poles is dependent upon proper support/attachment of pole to adequate foundation design. Selux does not design or offer recommendations for foundations. EPA values assume that the bottom of the pole is at grade level.

Call Selux (1-800-SELUXUS) if there are any questions, or for any assistance in determining suitability with appropriate fixtures.

AT54 - EPA MATRIX														
Height (ft)	Bolt Circle (in)	Wall (in)	Max Luminaire Weight (lbs)	Wind Speed (mph) - ASSHTO 2013										
				85	90	100	110	120	130	140	150	160	170	180
12	8-5/8	0.156	75	15.1	13.3	10.4	8.4	6.9	5.8	4.9	4.2	3.6	3.2	2.8
14				12.7	11.0	8.5	6.8	5.5	4.6	3.9	3.3	2.8	2.4	2.1
16				10.4	9.0	6.8	5.3	4.2	3.5	2.9	2.4	2.1	1.8	1.5
18		0.188	100	10.5	9.1	6.8	5.2	4.2	3.4	2.9	2.4	2.0	1.7	1.5
20	8.7			7.4	5.4	4	3.1	2.5	2.1	1.7	1.4	1.1	0.9	

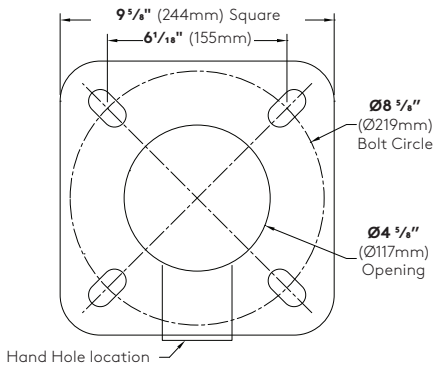
- Notes:**
1. Maximum EPA ratings certified in accordance with AASHTO 2013 (LTS-6) for 3-s gust wind speeds based on Allowable Stress Design (ASD) analysis.
 2. Consult factory for equivalent Load and Resistance Factor Design (LRFD) wind speeds.
 3. Centroid of all loads located a max height of 2'-6" above pole top and 2'-0" eccentric.
 4. Rated performance is dependant upon the pole being properly attached to a supporting foundation of adequate design.

AT54
5"- 4" Round Tapered Aluminum Pole



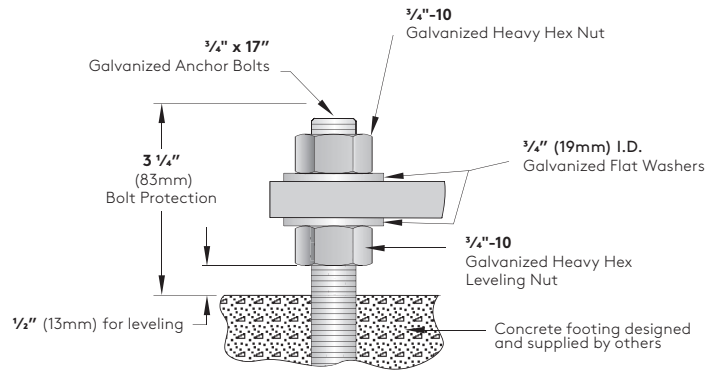
Bolt Circle

Use caution when setting anchor bolts. Bolts must be vertically straight and centered on dimensions shown.



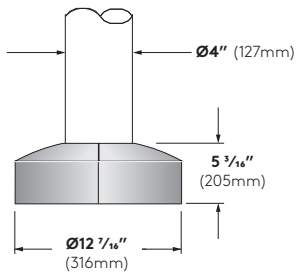
Note: Adequate drainage must be provided in concrete foundation.

Anchor Bolt Detail



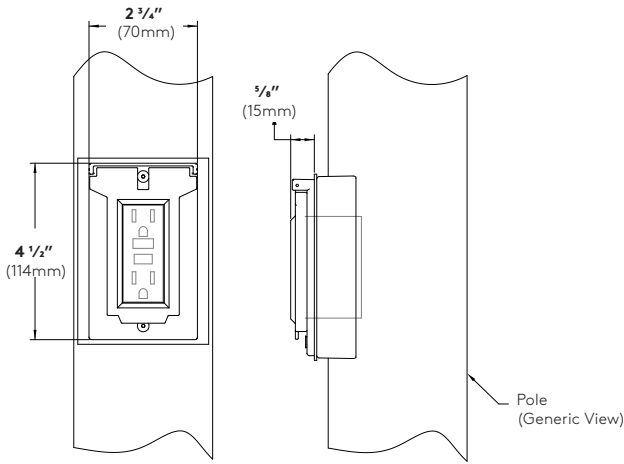
BC3 (AT54)

Die cast aluminum, two-piece field installable base cover.



Optional Accessories

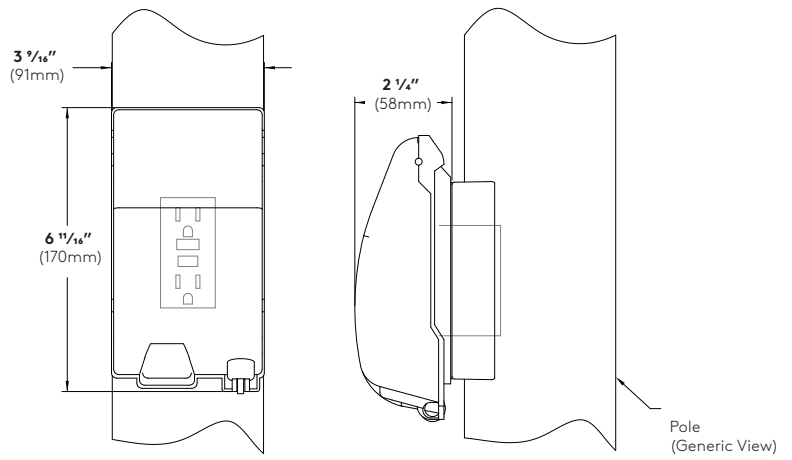
REC and REC3



Cover shown in the closed position.

*Physical size subject to change pending availability.

REC2 and REC4



Cover shown in the closed position.

GFCI Receptacle (REC) - 120V 15A GFCI duplex receptacle with weatherproof, self-closing cover; located 36" (915mm) o.c. from base of pole, in-line with hand hole. Receptacle is intended only for portable tools or other portable equipment to be connected to outlet only when attended by operating personnel (120V only).

USB & Duplex Receptacle (REC3) (not shown) - 120V 20A duplex receptacle with USB combination ports. (1) type A and (1) type C high power 5A, 5V USB outlets. With weatherproof, self-closing cover; located 36" (915mm) o.c. from base of pole, in-line with hand hole. Receptacle is intended only for portable tools or other portable equipment to be connected to outlet only when attended by operating personnel.

REC3 does not incorporate GFCI (Ground Fault Circuit Interrupter) protection, and shall be powered by a GFCI protected branch circuit (by others).

GFCI Receptacle (REC2) - 120V 15A GFCI duplex receptacle with weatherproof, self-closing, padlockable in-use cover; located 36" (915mm) o.c. from base of pole, in-line with hand hole. Receptacle is intended only for portable tools or other portable equipment to be connected to outlet only when attended by operating personnel (120V only).

USB & Duplex Receptacle (REC4) (not shown) - 120V 20A duplex receptacle with USB combination ports. (1) type A and (1) type C high power 5A, 5V USB outlets. With weatherproof, self-closing padlockable in-use cover; located 36" (915mm) o.c. from base of pole, in-line with hand hole. Receptacle is intended only for portable tools or other portable equipment to be connected to outlet only when attended by operating personnel.

REC4 does not incorporate GFCI (Ground Fault Circuit Interrupter) protection, and shall be powered by a GFCI protected branch circuit (by others).

AT54
5"- 4" Round Tapered Aluminum Pole



Round Pole Motion Sensor

The Selux outdoor rated sensor incorporates Passive Infrared (PIR) Technology for motion sensing and also includes built-in photocell. Sensor comes pre-installed in cast aluminum housing painted to match pole finish.

Series	Hand Hole Orientation	Dim Level	Photocell Feature	Voltage
MS Motion Sensor	00 0° Clockwise from Hand Hole	D0 (Off)	Y Yes	UNV (120/277/347VAC single phase or 208/240/480VAC phase-to-phase)
	09 90° Clockwise from Hand Hole	D1 (1V=10%)		
	18 180° Clockwise from Hand Hole	D3 (3V=30%)	N No	
	27 270° Clockwise from Hand Hole	D5 (5V=50%)		

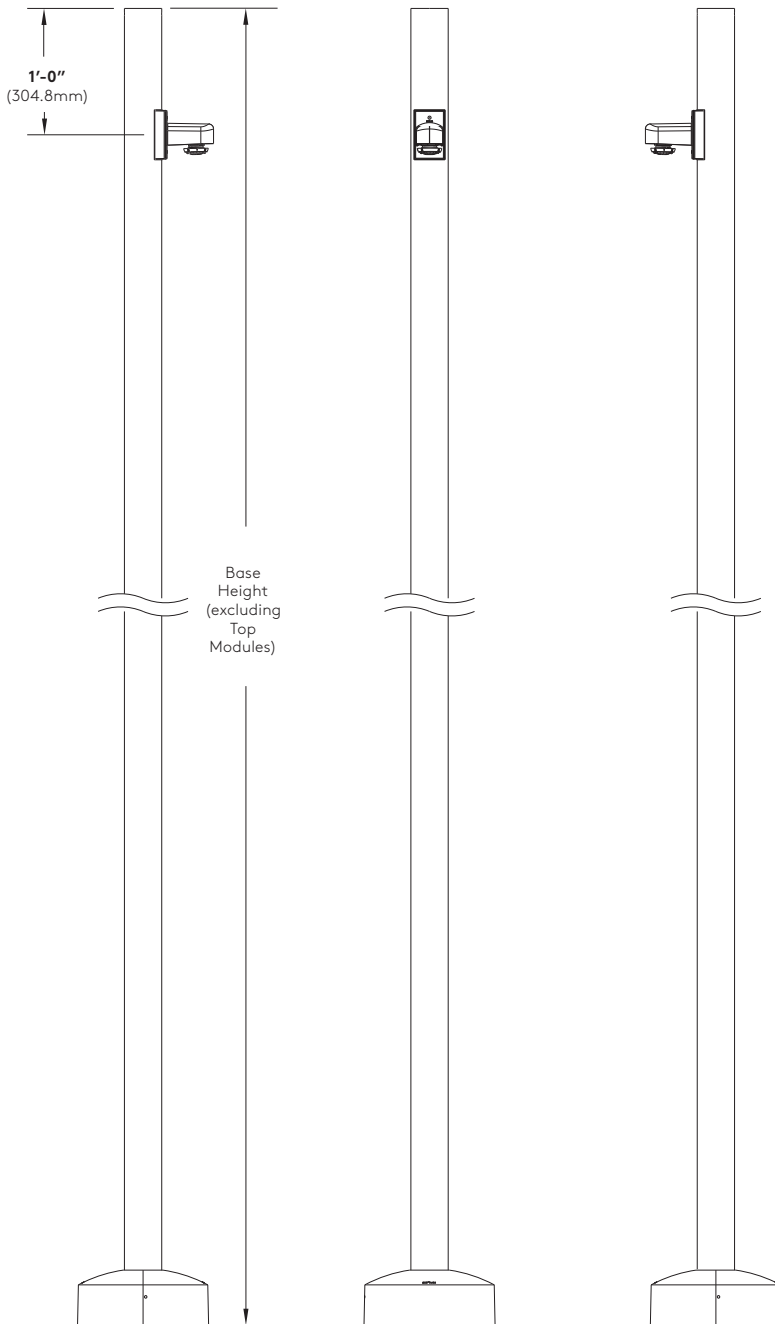
Factory Defaults:

Delay to Dim: 5 minutes

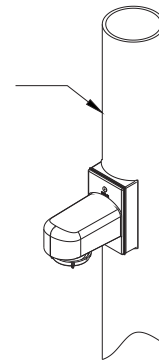
Delay to Off: 1 hour

Sensitivity: Max

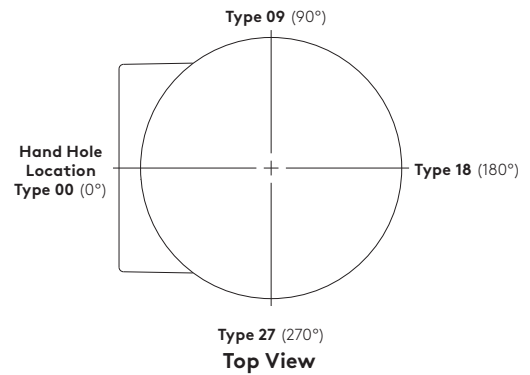
Custom Programming: Consult Factory



General Pole Drawing For Example Only



Sensor angular orientation from hand hole 0° 90° increments clockwise around pole (Type 00, 09, 18, 27)

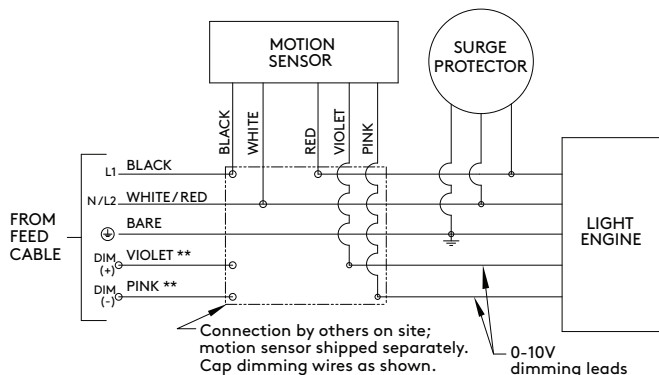


Motion Sensor Features

- Customize programming using smartphone application (Refer to the FSP-321 at www.wattstopper.com)
 - 5 Year Warranty
 - 100% Digital PIR Detection, excellent RF Immunity
 - 270° coverage pattern
 - IP66 Rated for outdoor applications
 - Made for LED light source
 - Adjustable time delays, max/min dim levels, and ramp rates
 - Suitable for Title 24 applications
- (For coverage details refer to wattstopper FSP-321 spec sheet at www.wattstopper.com)

Wiring Diagrams

Motion Sensor Option (MS) Wiring (120-480V)



Wire Designation Table		
Source Voltage (VAC)	Wire Color	Wire Designation
120V, 277V, or 347V	Black	L1
	White	Neutral
208V, 240V, or 480V	Black	L1
	Red	L2
UNV (120V-277V)	Black	L1
	White	Neutral (120/277V) or L2 (208/240V)